

# Solis Drum

Pablo Designs | Carmine Deganello and Pablo Studio | 2016 | Made in the United States

## Features and Specifications

Voltage:	120 to 277V 50/60Hz
Power consumption:	35 watts (small pendant light) 80 watts (large pendant light)
Color temperature:	2700K
Luminosity:	2500 lumens (small pendant light) 5600 lumens (large pendant light)
Luminaire efficacy:	71 lumens/watt
Color rendition index:	85
Rated lifespan:	50,000 hours
Bulb type:	high output LED
Cord length:	20 feet, field cuttable

### Pendant Lights

Available in two sizes, Solis Drum's precision laser cut pattern of lightweight polyester fabric is held in tension between two chrome rings, casting both direct and indirect light in soft rays around the room. Features a fabric cord and full dim control. An acrylic dome diffuser inside the shade disperses light evenly.

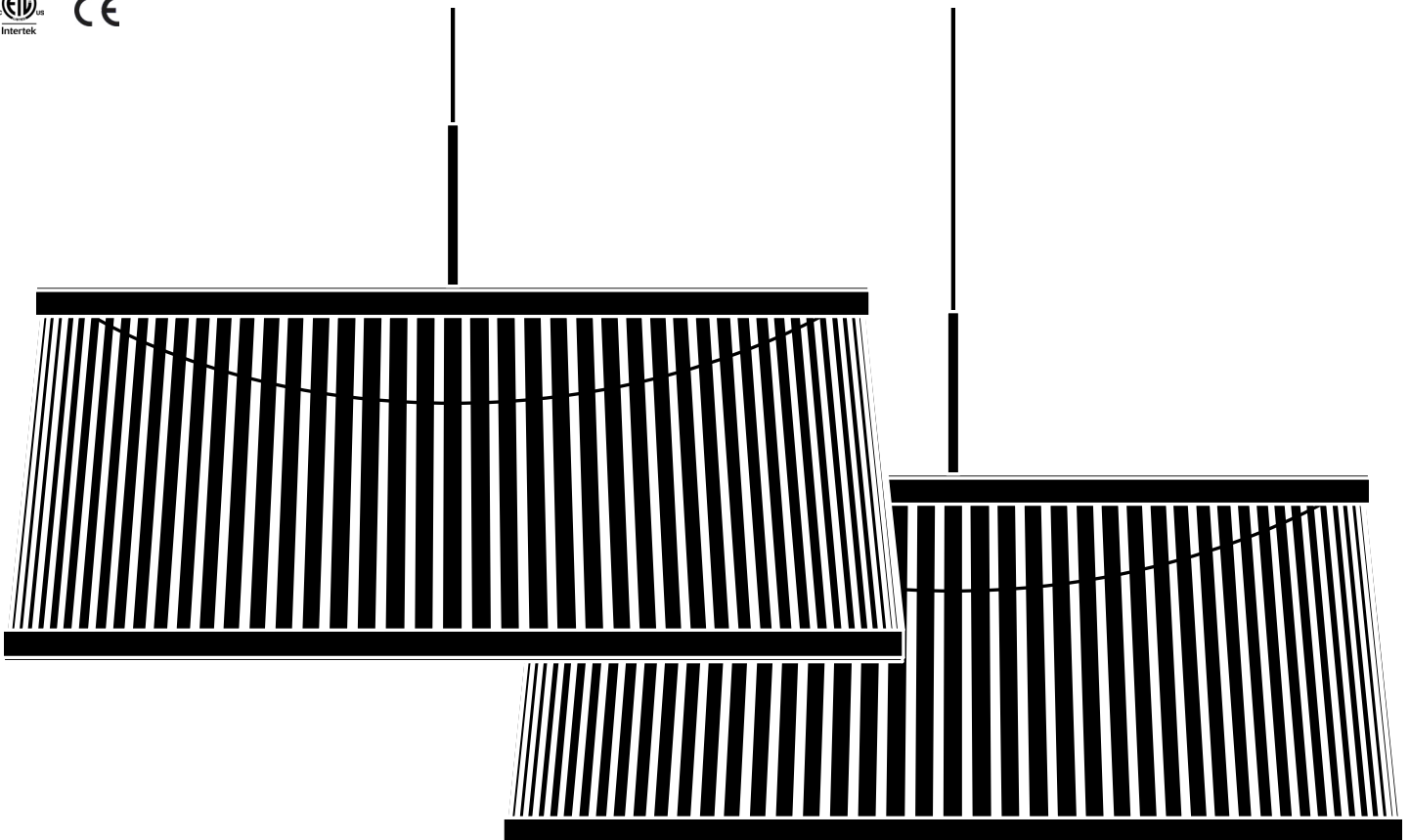
## Surfaces

### Trim

Black (TR-S20)  
Silver (TR-S22)  
White (TR-S23)

## Additional Notes

Solis Drum ships flat-packed. All Solis Drum lighting is ETL, CE, RoHS, and PSE certified.

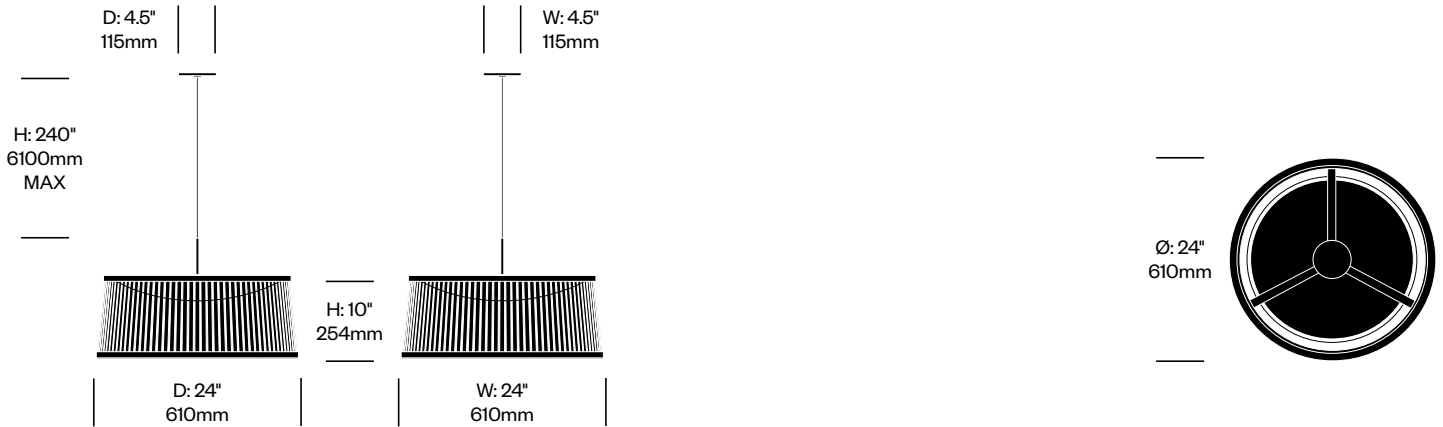


# Solis Drum

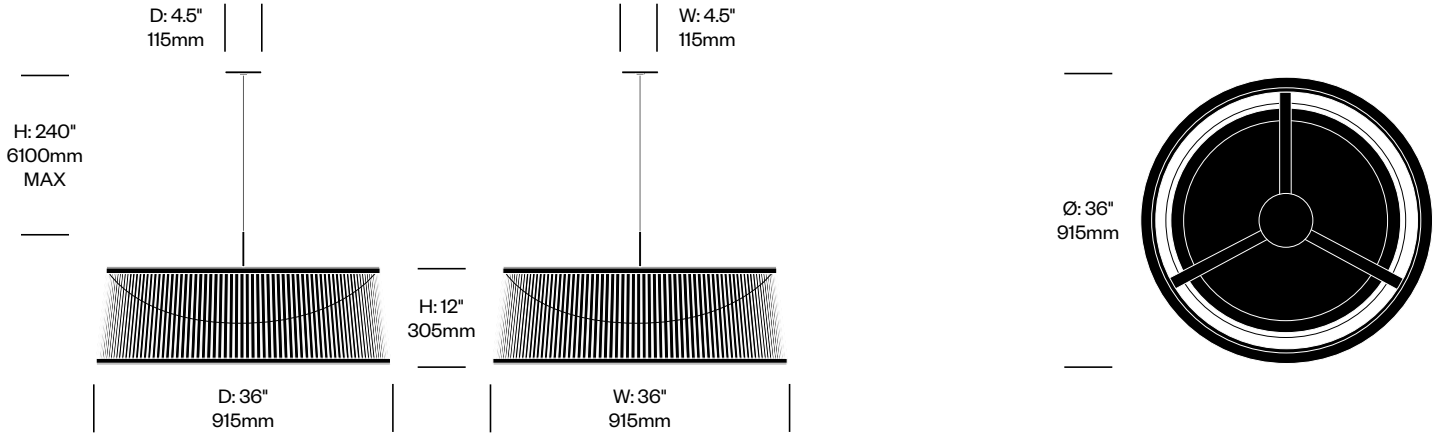
Pablo Designs | Carmine Deganello and Pablo Studio | 2016 | Made in the United States

**To order, specify:**

1. Product number
2. Trim color



Small Pendant Light	Number	List Price
	HCPL-SDP1-24	850.00



Large Pendant Light	Number	List Price
	HCPL-SDP2-36	1,200.00