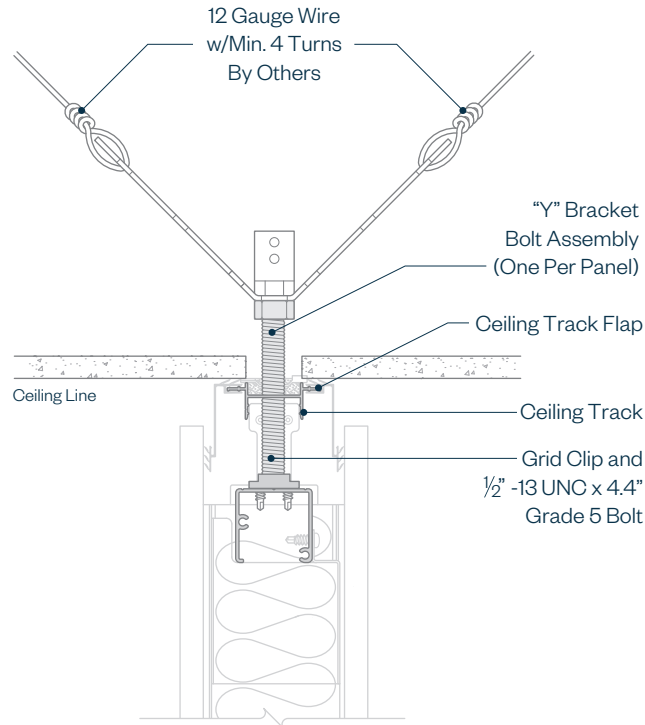


HAWORTH

Haworth Walls Architectural Details

Lateral Bracing - Ceiling with Wire Ties Only



Base building construction must be in accordance to local site building code requirements

Details for lateral bracing are shown as a guide and are not project specific. It is the responsibility of the engineer of record to determine appropriate interpretation/application of information provided in the these drawings based on project requirements.