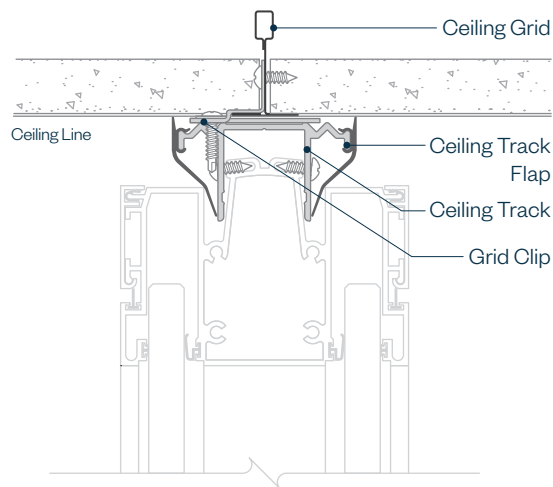


HAWORTH

# Haworth Walls Architectural Details

## Enclose Frameless Glass Ceiling Connection - Tile



Recommended minimum detail only-  
to be confirmed and accepted by the  
professional of record for each  
application and site

Base building construction must be in  
accordance to local site building  
code requirements