



## BuzziFree

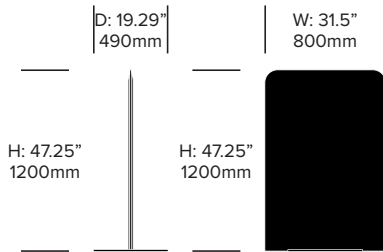
BuzziSpace | BuzziSpace Studio | 2011

Easily screen off and divide work or public spaces with BuzziFree, an acoustic solution that blocks unwanted views and reduces sound transfer within the room. Personalize this mobile wall by pinning notes and memos to the soft cover, which is available in a wide range of colors. BuzziFree has a honeycomb cardboard core, evenly distributing sound to support concentration and focus.

HAWORTH® Collection

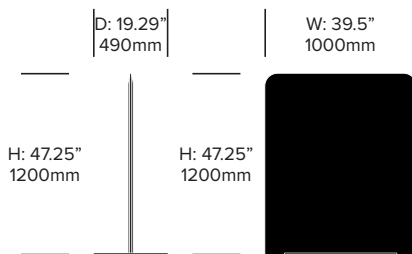
## Small Screen, 31.5" Width

---



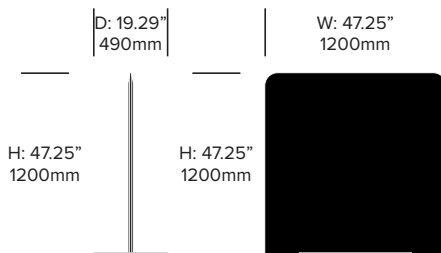
## Small Screen, 39.5" Width

---



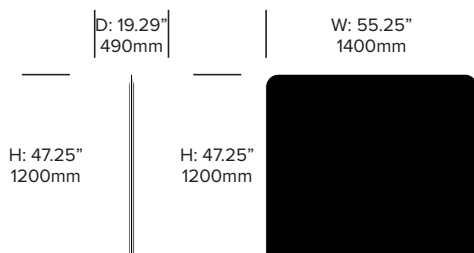
## Small Screen, 47.25" Width

---



## Small Screen, 55.25" Width

---



## UPHOLSTERY AND FINISHES

### Fabric Grade A

Fabric (BFA)  
Kvadrat® Revive 1 (BR1)  
Trevira CS (BCS)  
Trevira CS+ (BCP)

### Fabric Grade B

Kvadrat® Clara 2 (BC2)  
Kvadrat® Remix 2 (BRX)

### Fabric Grade C

Kvadrat® Hero (BHR)

### Fabric Grade D

Kvadrat® Tonus 4 (BT4)  
Kvadrat® Tonus Meadow (BTM)

### Fabric Grade E

Kvadrat® Memory 2 (BM2)

### Felt

BuzziFelt (BFE)

### Base Paint

Alu (BTR-90006)  
Black (BTR-90005)

## ACOUSTICS

### Acoustic Principles



Attenuation

### Acoustic Performance



High Tones

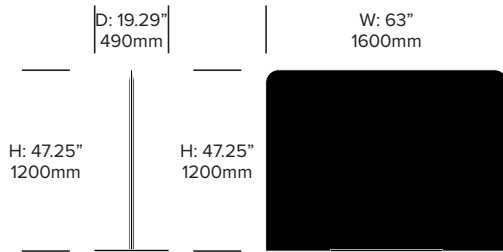
# BuzziFree

BuzziSpace | BuzziSpace Studio | 2011 | Made in the United States



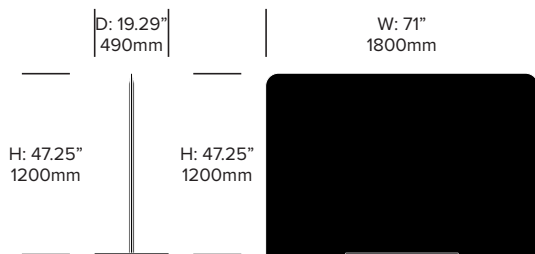
## Small Screen, 63" Width

---



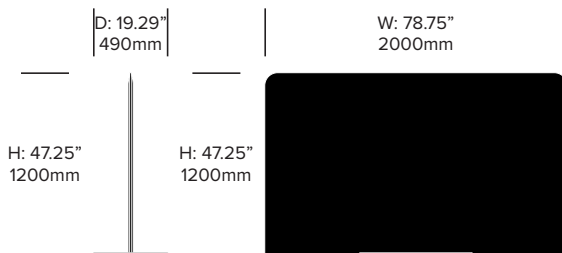
## Small Screen, 71" Width

---



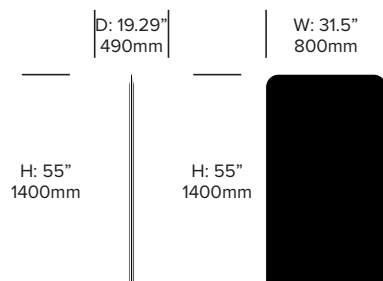
## Small Screen, 78.75" Width

---



## Medium Screen, 31.5" Width

---



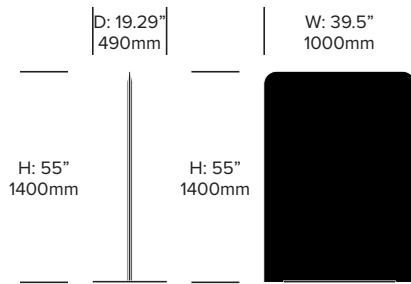
# BuzziFree

BuzziSpace | BuzziSpace Studio | 2011 | Made in the United States



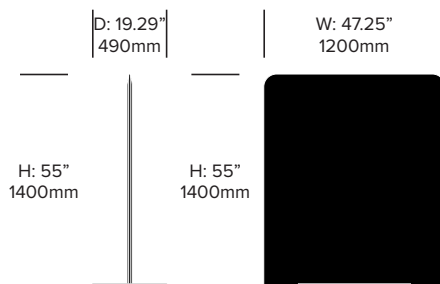
## Medium Screen, 39.5" Width

---



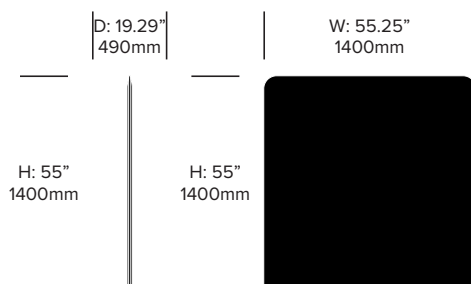
## Medium Screen, 47.25" Width

---



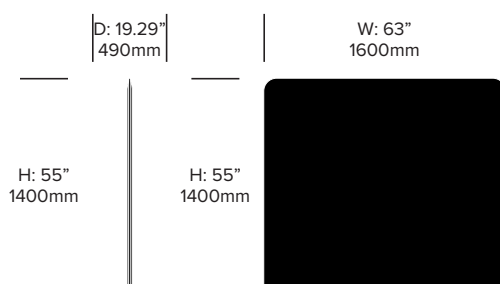
## Medium Screen, 55.25" Width

---



## Medium Screen, 63" Width

---



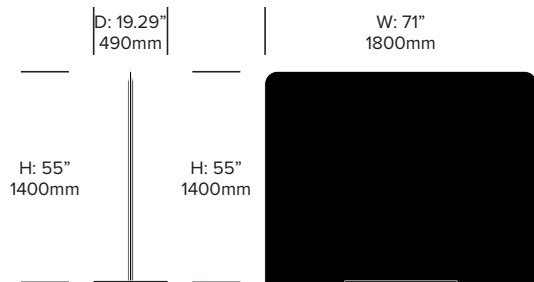
# BuzziFree

BuzziSpace | BuzziSpace Studio | 2011 | Made in the United States



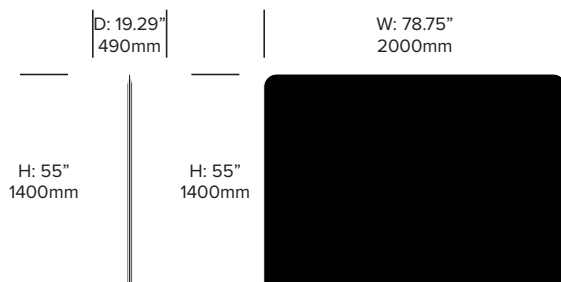
## Medium Screen, 71" Width

---



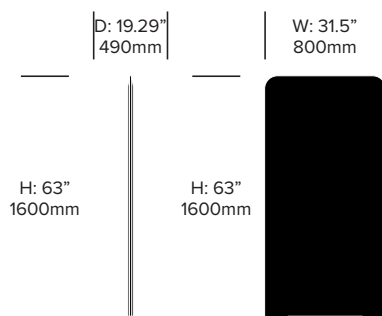
## Medium Screen, 78.75" Width

---



## Large Screen, 31.5" Width

---



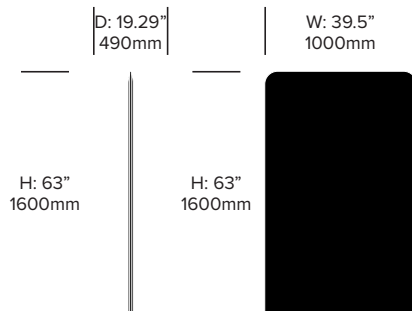
# BuzziFree

BuzziSpace | BuzziSpace Studio | 2011 | Made in the United States



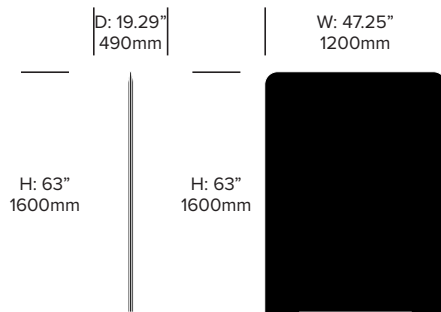
## Large Screen, 39.5" Width

---



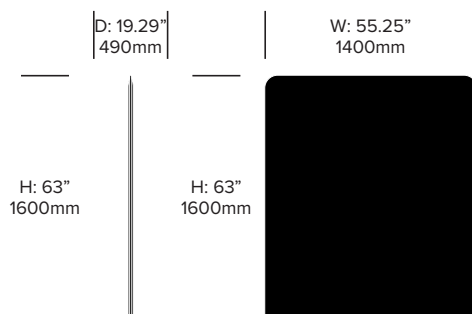
## Large Screen, 47.25" Width

---



## Large Screen, 55.25" Width

---



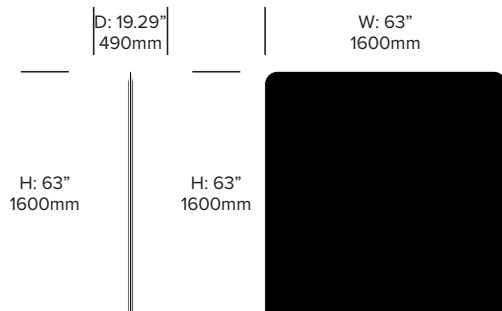
# BuzziFree

BuzziSpace | BuzziSpace Studio | 2011 | Made in the United States



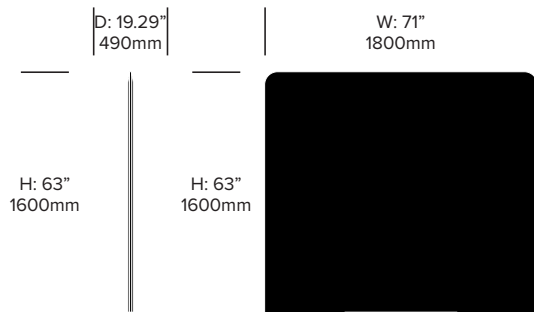
## Large Screen, 63" Width

---



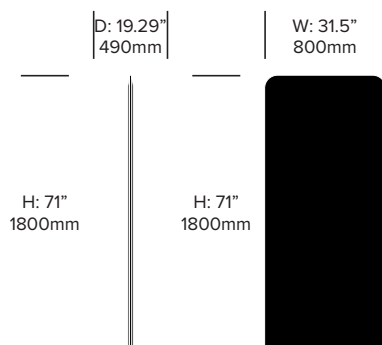
## Large Screen, 71" Width

---



## Extra Large Screen, 31.5" Width

---



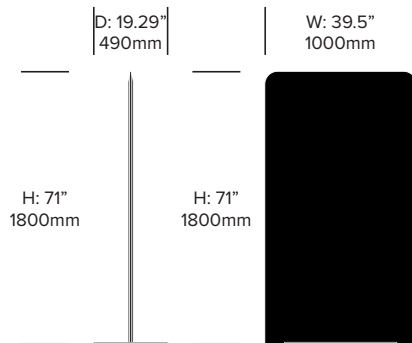
# BuzziFree

BuzziSpace | BuzziSpace Studio | 2011 | Made in the United States



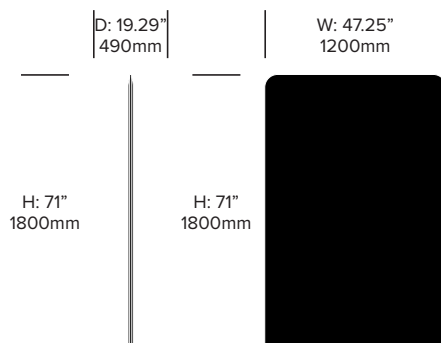
## Extra Large Screen, 39.5" Width

---



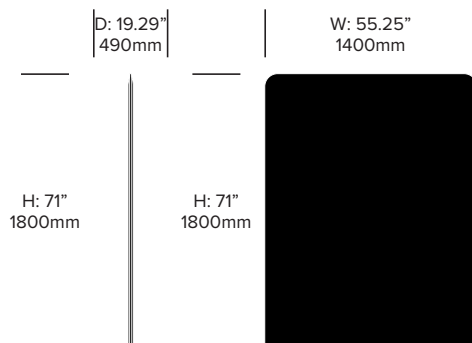
## Extra Large Screen, 47.25" Width

---



## Extra Large Screen, 55.25" Width

---





# BuzziFree

BuzziSpace | BuzziSpace Studio | 2011 | Made in the United States



## Extra Large Screen, 63" Width

---

