



BuzziBell

BuzziSpace | Chris Hardy | 2016

In an iconic form without the sound, BuzziBell is a pendant light that adds softness and sound-absorbing texture overhead. Engineered from BuzziFelt, a propriety material made from recycled plastic bottles, BuzziBell is available in a wide range of hues.

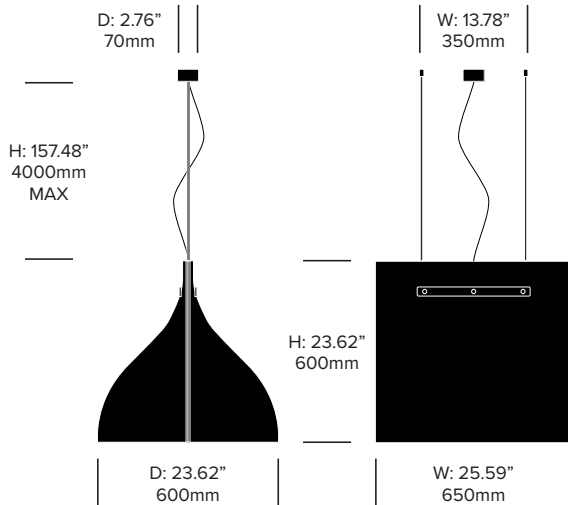
HAWORTH® Collection

BuzziBell

BuzziSpace | Chris Hardy | 2016 | Imported from the Netherlands



Pendant



UPHOLSTERY AND FINISHES

Felt

BuzziFelt (BFE)

Frame Paint

Black (BTR-90005)
Fluo Yellow (BTR-1016)
White (BTR-9010)

Cable Trim

Alu (BTR-90006)
Black (BTR-90005)

FEATURES AND SPECIFICATIONS

Voltage:	120V 50/60Hz
Power consumption:	29.4 watts
Color temperature:	3000K
Luminosity:	2545 lumens
Luminaire efficacy:	87 lumens/watt
Color rendition index:	90 CRI
Rated lifespan:	50,000 hours

All BuzziBell lighting is UL and CE certified.



ACOUSTICS

Acoustic Principles



Absorption



Diffusion

Acoustic Performance



Low Tones



Mid Tones



High Tones