



BESIDE®

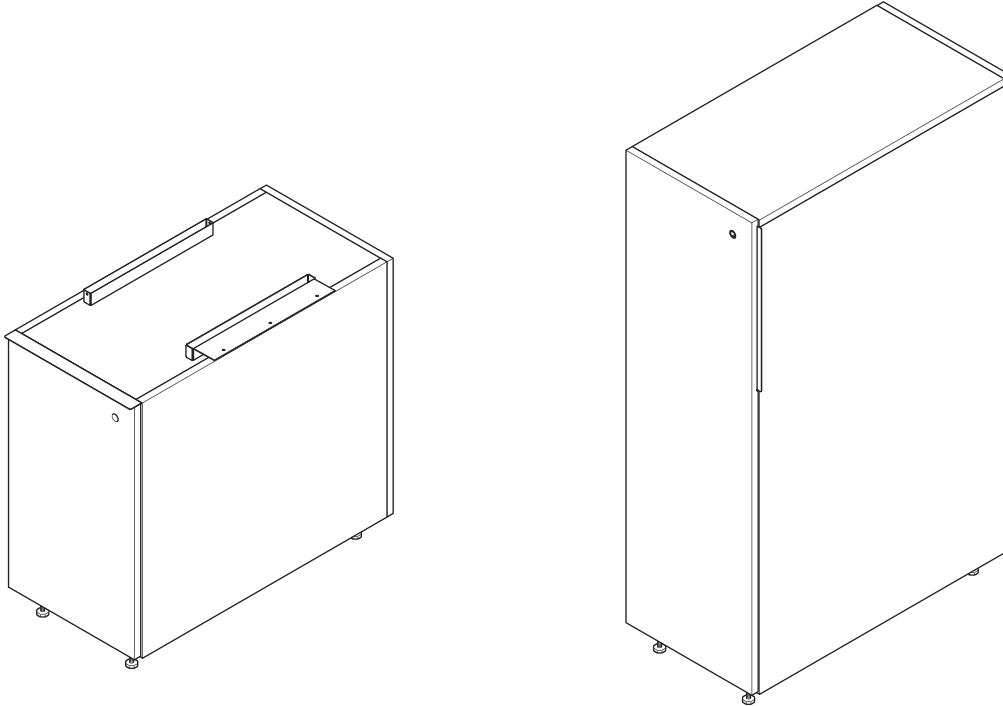
Storage Pantry

Disassembly & Recycling Instructions

Tools Required

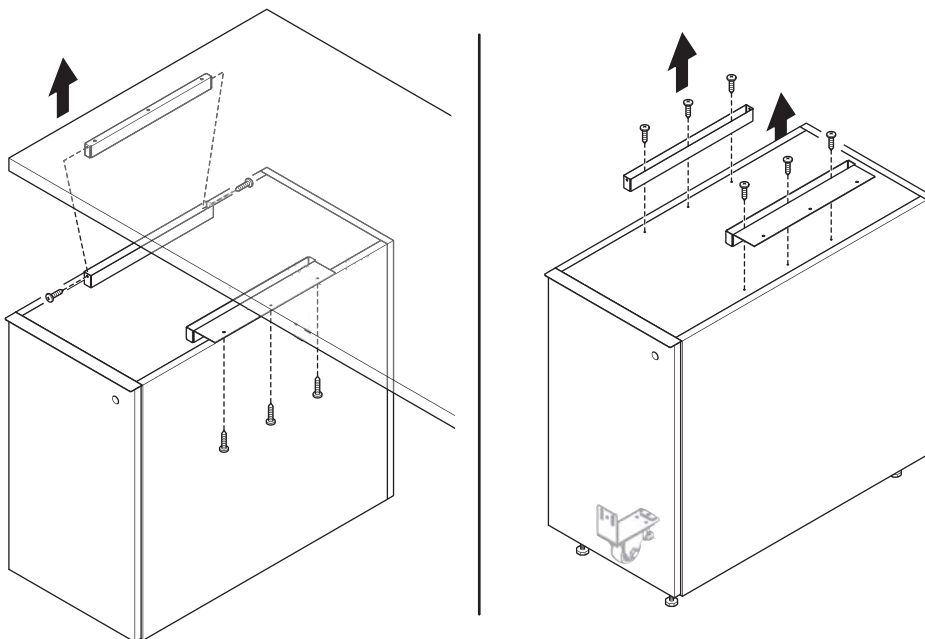


1



SLAT RAIL - LOWER

1



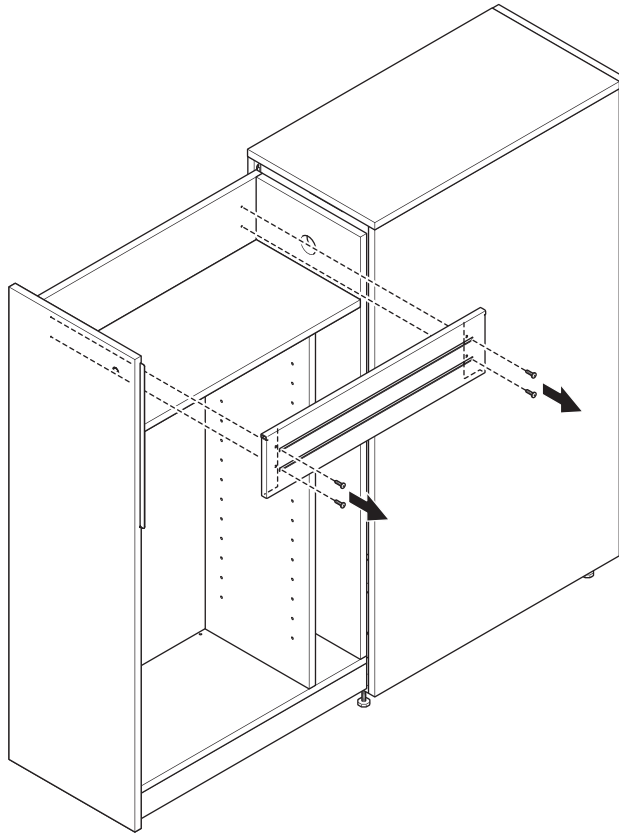
RECYCLE BINS

STEEL

CUSTOMER SERVICE PHONE: 1-800-426-8562

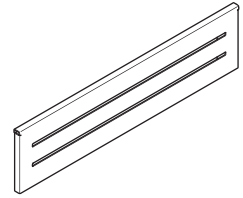
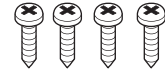
SLAT RAIL - UPPER

2



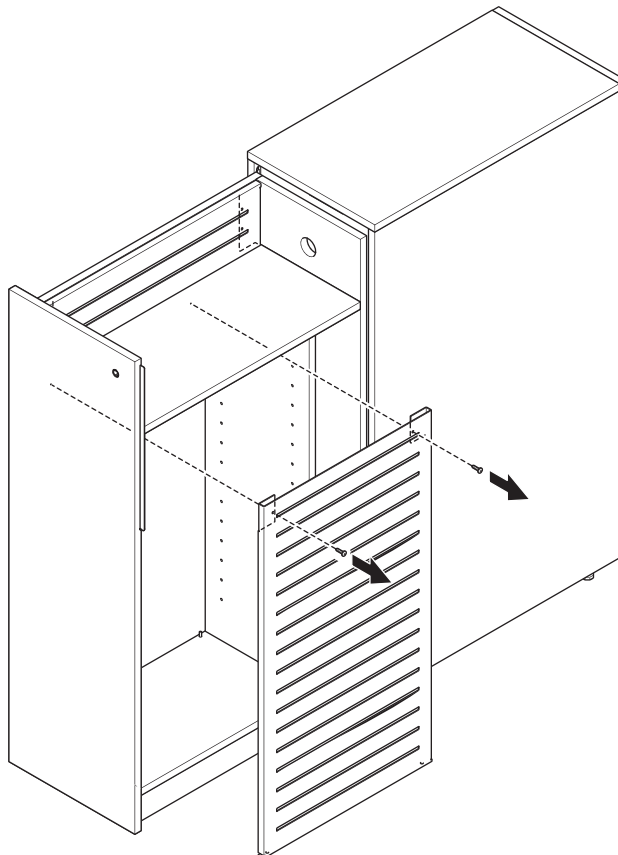
RECYCLE BINS

STEEL



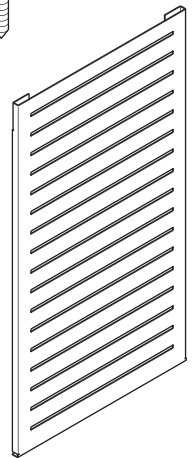
SLAT RAIL - LOWER

3



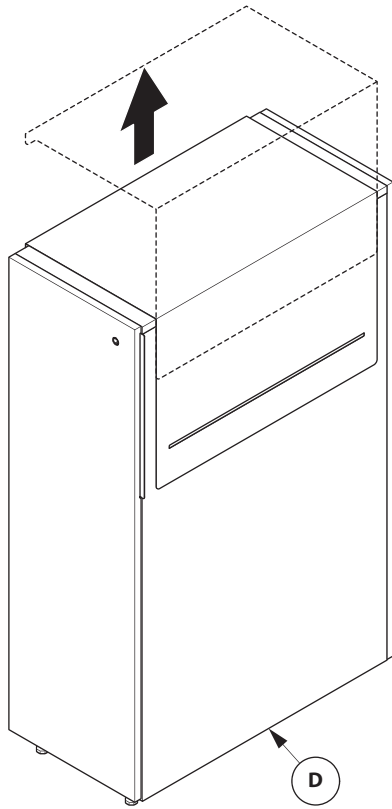
RECYCLE BINS

STEEL

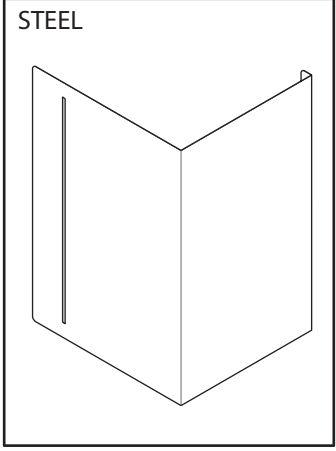


SADDLE

4

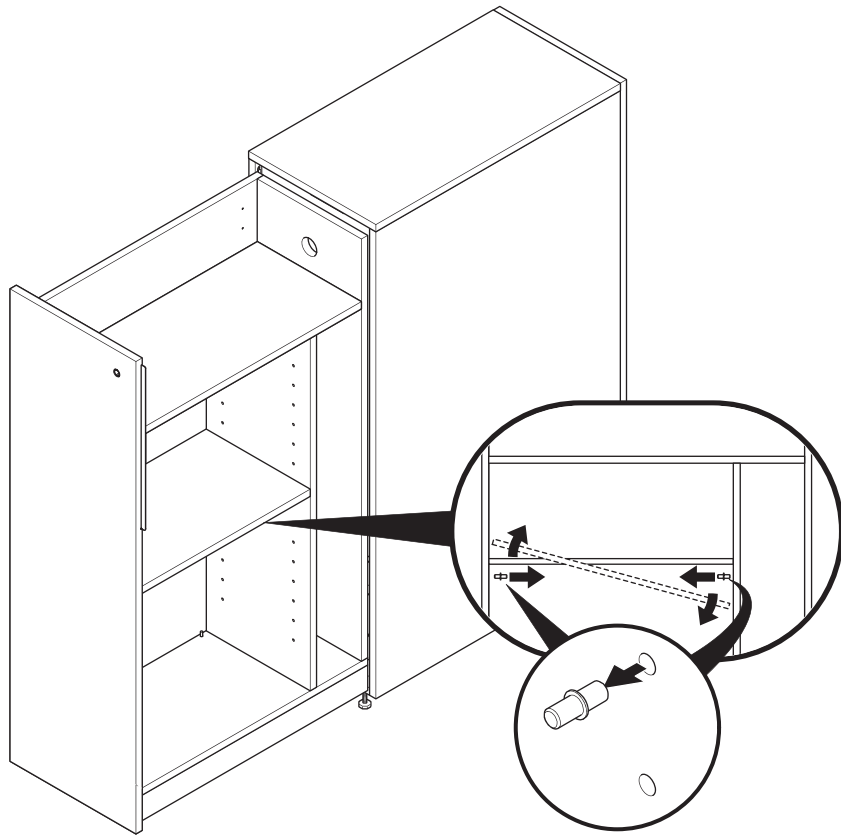


RECYCLE BINS

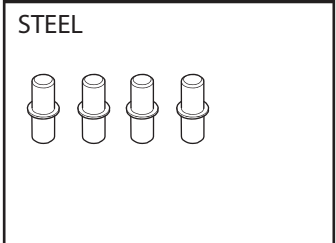


SHELF

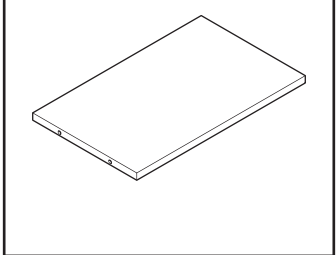
5



RECYCLE BINS



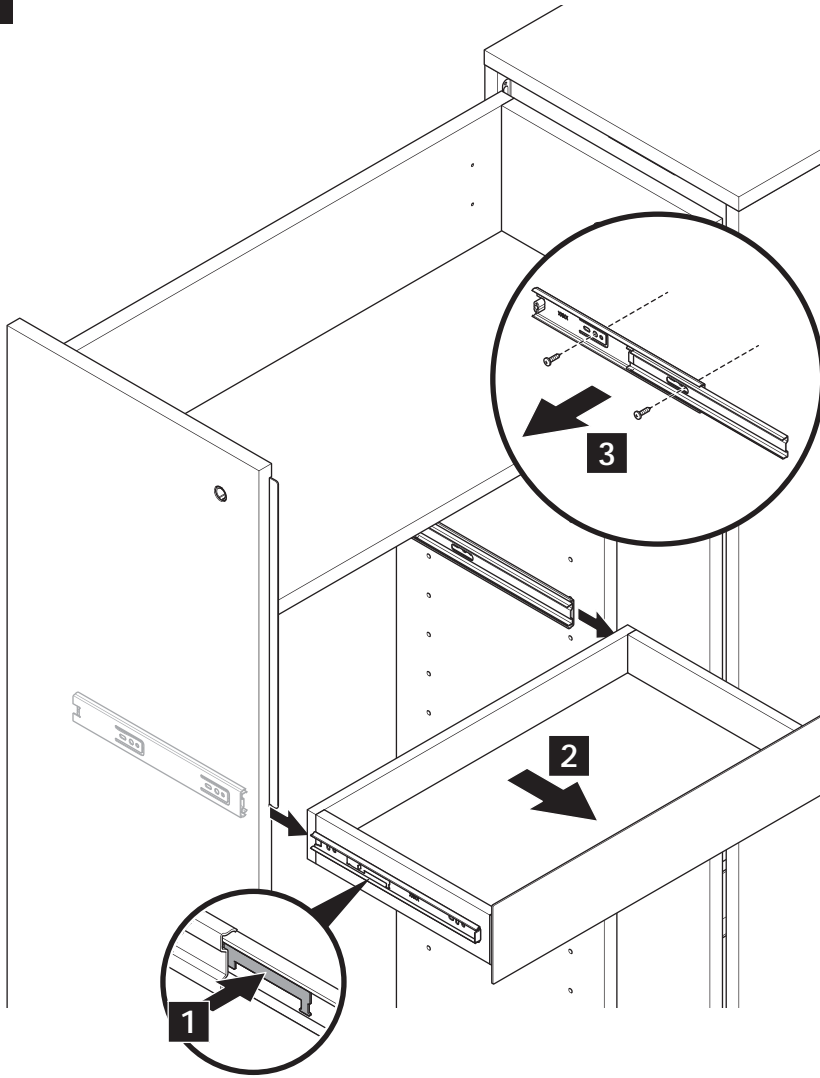
WOOD/LAMINATE



CUSTOMER SERVICE PHONE: 1-800-426-8562

DRAWER

6

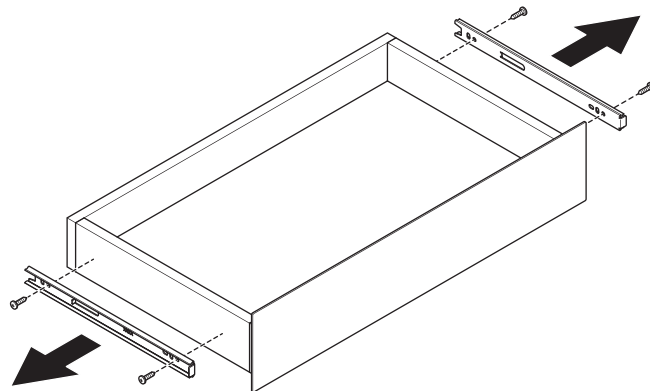


RECYCLE BINS

STEEL

This section lists the materials for step 6. It includes a recycling symbol, the word "STEEL", and illustrations of four screws and two metal tracks.

7



RECYCLE BINS

STEEL

WOOD/LAMINATE

This section lists the materials for step 7. It includes a recycling symbol, the word "STEEL", and illustrations of four screws. Below that, it includes the words "WOOD/LAMINATE" and an illustration of the drawer.