

# Compose Echo

## GSA Price List – March 2024



This price list is based upon Haworth's February 2024 commercial pricing.  
GENERAL SERVICES ADMINISTRATION FEDERAL SUPPLY SERVICE  
Authorized Federal Supply Scheduled Price List (Catalog) Office Furniture, Wood Casegoods and Tables  
(FSC Group 71, Part I, FSC Classes 7105, 7110, 7125 and 7195)  
Contract No: GS-03F-057DA | Contract Period: February 8, 2016 – February 7, 2026 | Business: Large  
Contractor: Haworth, Inc. | One Haworth Center | Holland, MI 49423-9576 | 1.616.393.3000



# Electronic Update Page – Compose Echo

- The table below lists all of the updates and addendums added to this price list since the original version was created.
- All **Update** pages will replace the existing pages within the document.
- All **New** pages will be placed at the back of the document.

Link	Date	Pages	Description
<a href="#">Click Here</a>	March 2024	14-17	<b>Update</b> – Belong Hatch Cutout Option added to pages



**This Haworth North American price book contains US list prices.**

Canadian customers can convert the US list price into their Canadian equivalent by going to [www.Haworth.com/Canada](http://www.Haworth.com/Canada) to find the current Canadian multipliers. These multiplier factors allow you to convert the US list price into a Canadian list price.

# **HAWORTH, INC.**

## **GENERAL SERVICES ADMINISTRATION**

### **FEDERAL ACQUISITION SERVICES**

#### **Authorized Federal Supply Schedule Furniture (FSC Group 71, FSC Classes 7105, 7110, 7125 and 7195)**

Contract Number:	GS-03F-057DA
Contract Start Date:	February 8, 2016
Contract End Date:	February 7, 2026
Contractor:	HAWORTH, INC. One Haworth Center Holland, MI 49423-9576 1-616-393-3000 <a href="http://www.haworth.com/government">http://www.haworth.com/government</a>
Business Size:	Large

#### **Information for Ordering Activities I-FSS-600**

Online access to Haworth's Authorized Federal Supply Schedule contract ordering information, terms and conditions, and up-to-date product and discount listing can be found at GSA Advantage, eLibrary link [here](#).

# Table of Contents

## Price List

<b>Statement of Line</b> .....	6
<b>Compose Height Adjustable Tables</b>	
Catalog Logic .....	13
<b>Height Adjustable Table</b>	
Rectangular .....	14
Rectangular Radius Corner .....	16
<b>Height Adjustable Table Accessories</b>	
Table Tether .....	18
Table Stop .....	19
Onboard Storage .....	20
Horizontal Wire Management with Modesty or without .....	21
Wire Manager – Vertical Wire Manager .....	22
Wire Manager – Cable Management Hook .....	22
Table Grip .....	23
Worksurface Guard Rail .....	24
<b>Compose Echo Accessory</b>	
Accessory Frame – Open .....	25
Accessory Frame – Fabric .....	26
<b>Compose Echo Integrated</b>	
Slotted Accessory Tile .....	30
Slotted Accessory Tile / Single .....	31
Slotted Accessory Tile / Double .....	32
<b>Compose Echo Accessory</b>	
Ledge .....	33
<b>Accessory</b>	
Pivoting Tray .....	34
<b>Compose Echo Tablet</b>	
Markerboard .....	35
Markerboard Accessories .....	36
Markerboard Rail .....	37
<b>Compose Echo Be_Hold</b>	
Legs – for use with Compose .....	38
Legs – Single, Double or Triple Unit for use with Compose .....	
Connections .....	40
<b>Compose Echo Accessory</b>	
Compose to Storage Bracket - C7 .....	42
<b>Electrical Components</b>	
Belong .....	43
Cord Management Cuff .....	44
Mesh Cord Manager with Cuffs .....	44
<b>Fabrics and Finishes</b>	
Finish/Color Legend .....	46
Vertical Fabrics/Color Legend .....	47
Seating Fabrics/Color Legend .....	47
<b>Index</b>	
Price List Index .....	48
<b>Warranty</b>	
Lifetime Product Warranty .....	Inside Back Cover



# Compose Echo Price List

Includes pricing, catalog numbers, finish codes/availability, specification requirements, line art, dimensions, and specification tips for Compose Echo.

**Height Adjustable Tables**

**Height Adjustable Table Accessories**

**Integrated Slotted Accessories**

**Tablets**

**Legs**

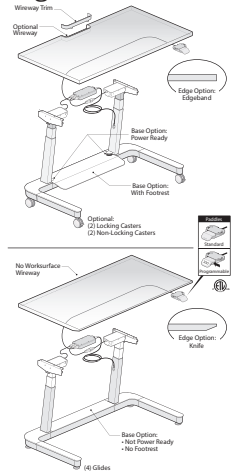
**Brackets**

**Electrical Components**

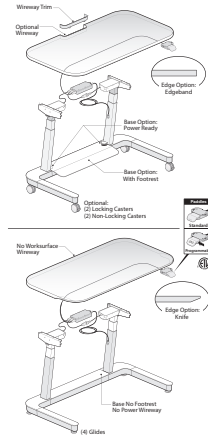
# Statement of Line

## Height Adjustable Table

Pages 15-17



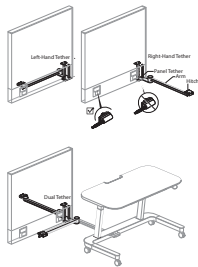
**TFRA**  
**Rectangular**



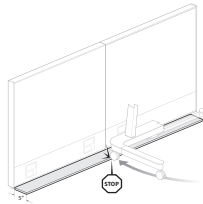
**TFPA**  
**Rectangular Radius Corner**

## Height Adjustable Table Accessories

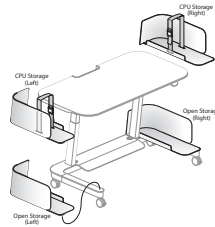
Pages 19-25



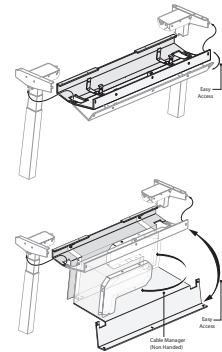
**ATWT**  
**Table Tether**



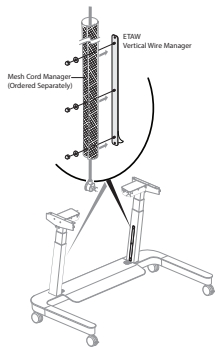
**ATSR**  
**Table Stop**



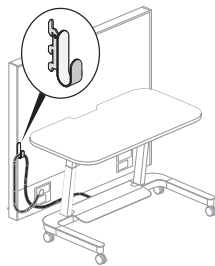
**ATTS**  
**Onboard Storage**



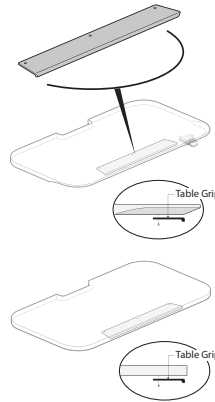
**ATWN**  
**Horizontal Wire Management with Modesty or without**



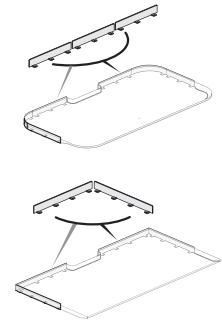
**ETAW**  
**Vertical Wire Manager**



**EZAH-0200-P**  
**Cable Management Hook**



**AUTG**  
**Table Grip**

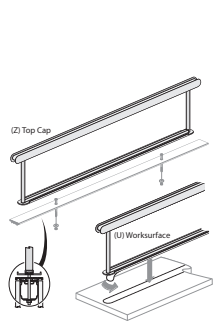


**ATTL**  
**Worksurface Guard Rail**

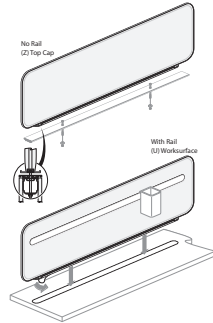
# Statement of Line

## Compose Echo Accessory

Pages 26-27



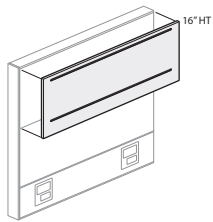
**STUC-P**  
**Accessory Frame - Open**



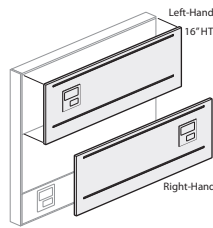
**STUC-F**  
**Accessory Frame - Fabric**

## Compose Echo Integrated

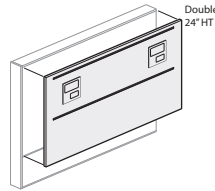
Pages 31-33



**VZTI-ANN**  
**Slotted Accessory Tile**



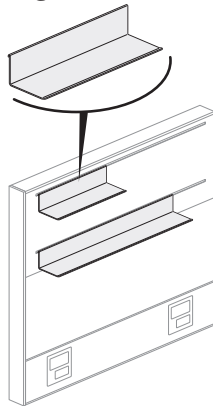
**VZTI-A\_N**  
**Slotted Accessory Tile / Single**



**VZTI-ADN**  
**Slotted Accessory Tile / Double**

## Compose Echo Accessory

Page 34

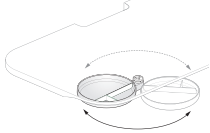


**ATSP**  
**Ledge**

# Statement of Line

## Accessory

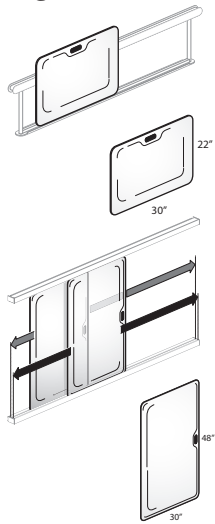
Page 35



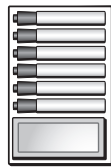
ATTR  
Pivoting Tray

## Compose Echo Tablet

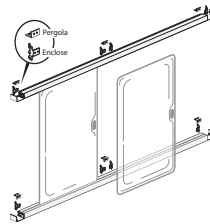
Pages 36-38



ATTM  
Markerboard



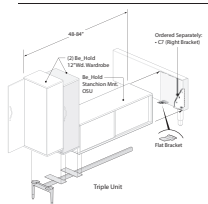
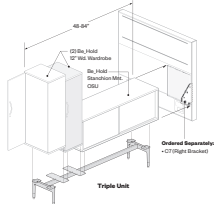
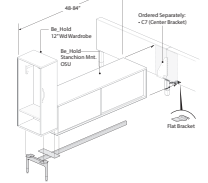
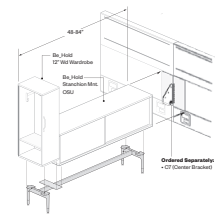
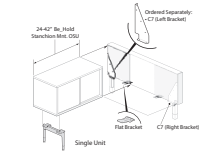
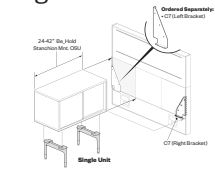
7062-8001, 7031-7022, 7031-7001  
Markerboard Accessories



ATMR  
Markerboard Rail

## Compose Echo Be\_Hold

Pages 51-53



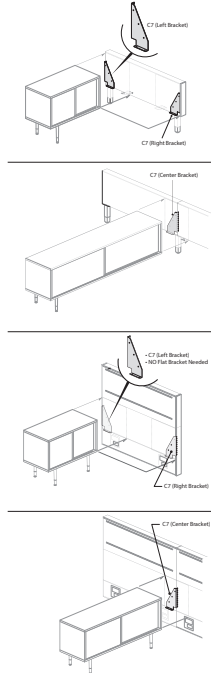
BAES  
Legs - for use with Compose

BAES  
Legs - Single, Double or Triple Unit for use with Compose Connections

# Statement of Line

## Compose Echo Accessory

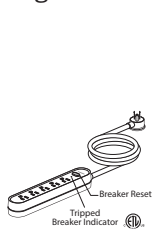
Page 55



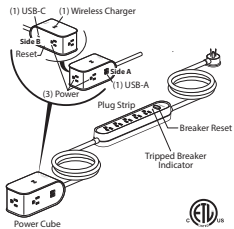
ZZBF  
Compose to Storage Bracket - C7

## Electrical Components

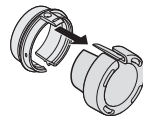
Pages 56-57



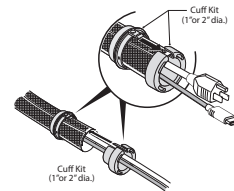
EUR1  
Belong



BUB5  
Belong



EUAC  
Cord Management Cuff



EUAW  
Mesh Cord Manager with Cuffs

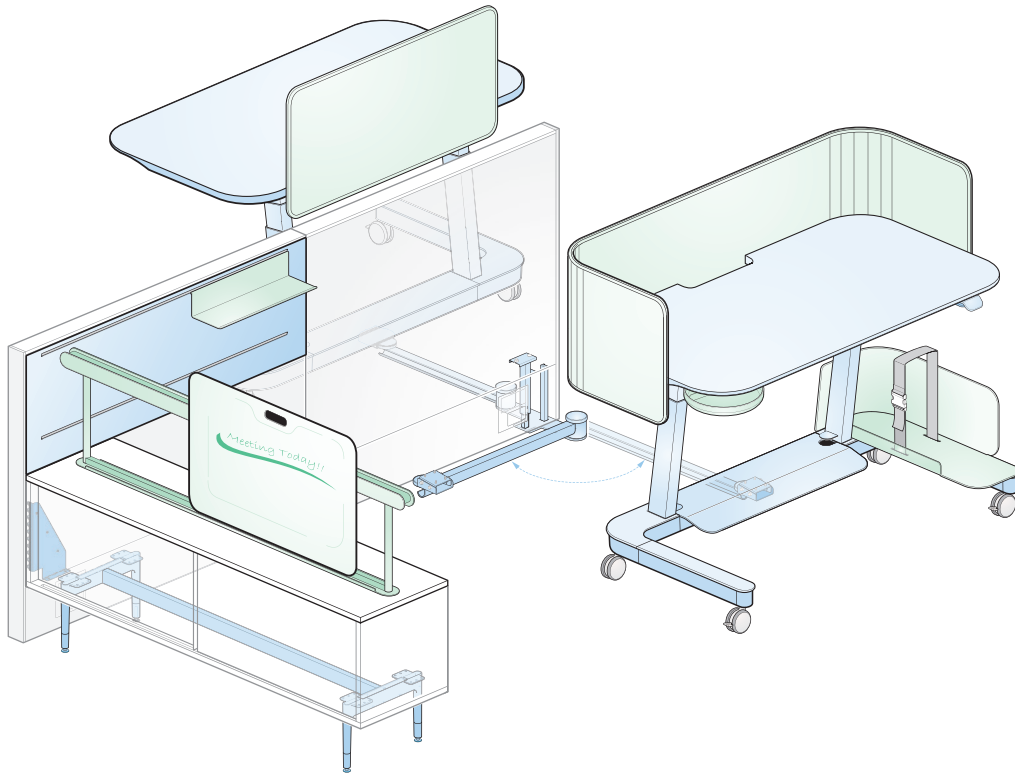


# Compose Echo

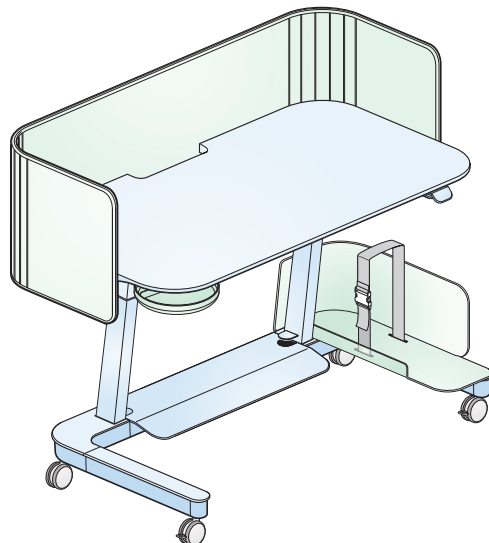
## At-A-Glance

Compose Echo is a scalable workplace system that redefines flexibility, creating dynamic team spaces where both individual and collaborative work happen fluidly. Each element was thoughtfully designed to fit together to maximize space and human performance, with the freedom to easily switch between work modes. Compose Echo moves the way you do, to support a variety of workstyles now and respond to workplace needs of the future.

### Dual Tethered Application



### Freestanding Application





# Compose Echo

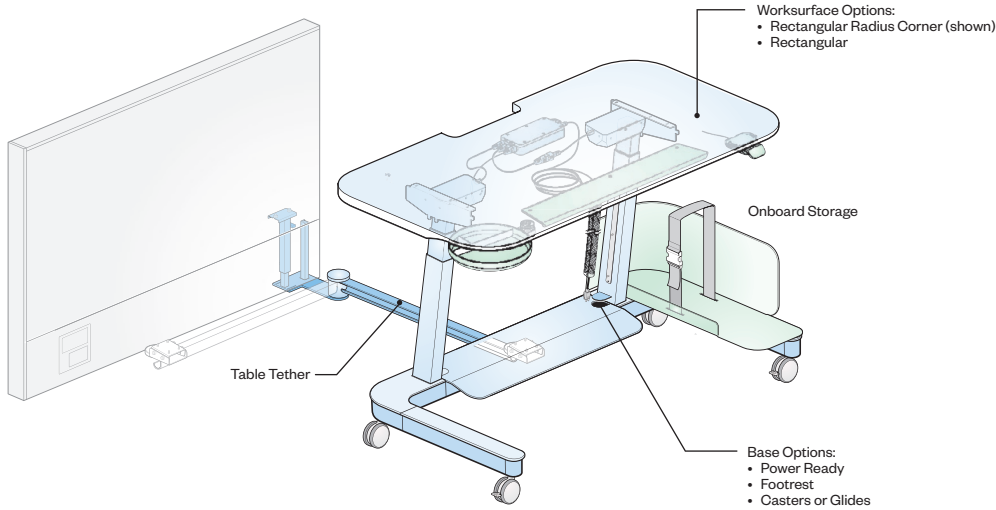
## At-A-Glance

**The Compose Echo Height Adjustable Table offers:**

- Rectangular or Rectangular Radius Corner top shapes with Knife Edge or Edgeband edge options available in laminate or wood.
- Optional worksurface wireway.
- Optional power ready base.
- Available with glides or casters. Casters are limited on some sizes. Interchangeable when available.
- Optional footrest. Footrest cannot be retrofitted in the field.
- Data/power options with Belong Power Suite or Belong Plug Strip.
- Separately specified tether attachment to a Compose panel.

Table movement with the Tether:

- 245° without lockout.
- Lockout stops the arm from moving past 90°. Lockout can be added or removed in the field.

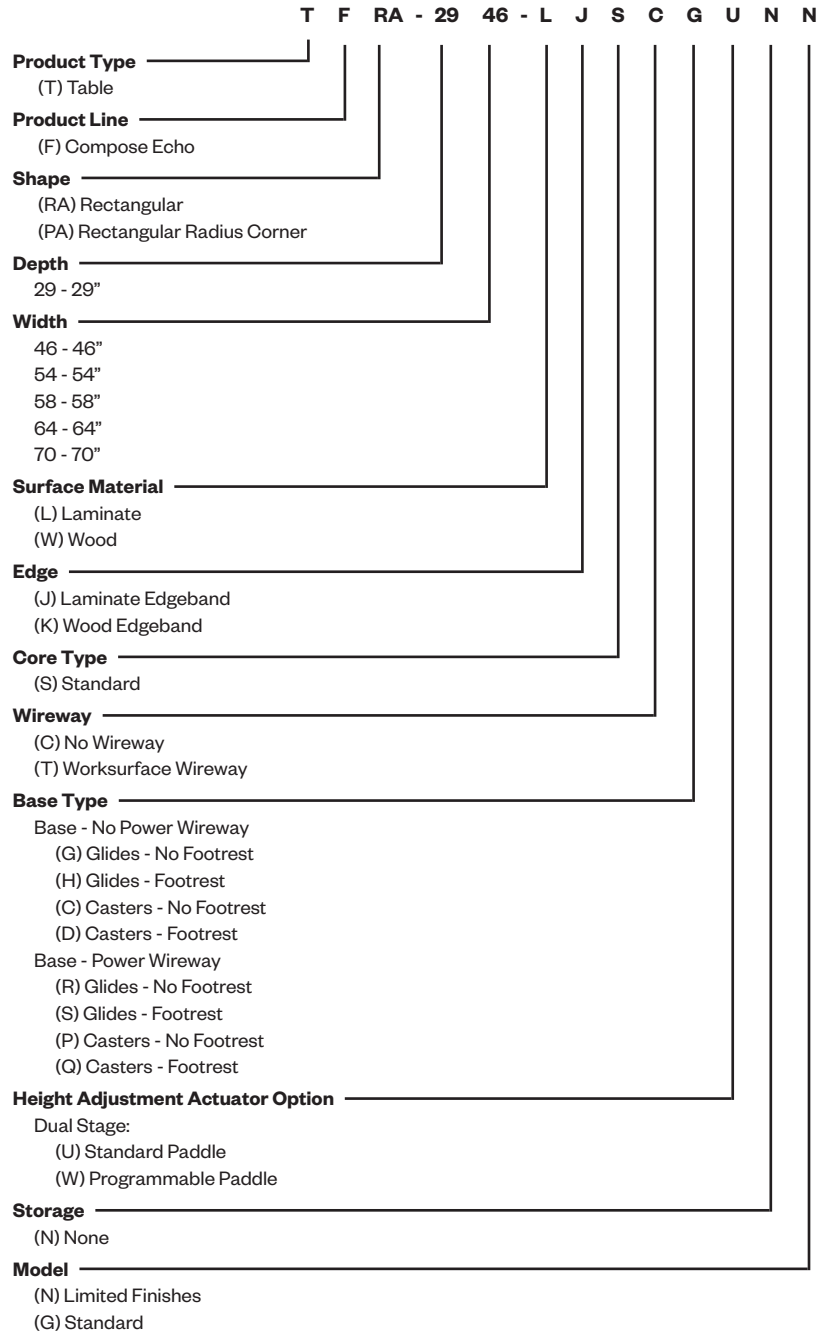


Additional considerations when planning with Height Adjustable Tables:

- Ensure perimeter of height adjustable table and attached components when operated are at least 1”(25mm) from adjacent objects.
- Verify table range of motion is free of collision above and below the height adjustable table worksurface.
- Verify building power for table is located within reach of the Height Adjustable Table Cord.

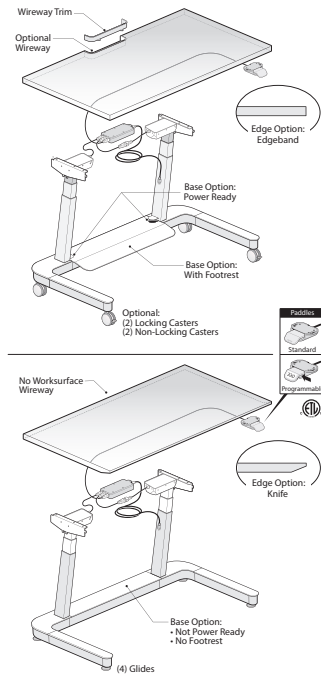
# Compose Height Adjustable Tables

## Catalog Logic



# Height Adjustable Table

## Rectangular



TFRA  
Class TR0 - Discount Group XXXII

### Features

- Includes 1.18" (30mm) thick top, L-leg telescoping base assembly, standard or programmable paddle, wire management clips, adjustable glides or casters, optional footrest, optional worksurface wireway, and hardware.
- Laminate top with knife edge or 3mm edgeband or wood veneer top with 3mm wood edgeband or knife edge. Tops are 3mm on user edge and 1mm on remaining edges.
- Optional wireway along back edge of worksurface is color-matched to solid side/back edge trim. When wood veneer or wood grain or patterned laminate is specified, wireway will be Charcoal. Refer to Specification Guide for wireway details.
- Optional Belong Hatch cutout:
  - Laminate tops only with one cutout.
  - Available on worksurfaces 46" (1168mm), 54" (1372mm), 58" (1473mm), 64" (1626mm) and 70" (1778mm).
  - Requires separately specified Belong Hatch.
  - Refer to Specification Guide for cutout details.
- Electric Height adjustment:
  - 1.4" (36mm) per second.
  - Dual Stage
    - Telescoping columns with 24.3" (617mm) continuous adjustment range.
    - Table height adjusts from 27.5" (699mm) to 52" (1321mm) with casters and 24.6" (625mm) to 48.9" (1242mm) with glides, table height includes 1.18" (30mm) table top.
- Paddle Actuator:
  - Standard paddle with up/down control.
  - Programmable paddle with up/down adjustment control, two memory settings, move reminder and OLED display.
  - Can be mounted on left or right side of table using predrilled holes; standard with black housing.
- Base includes:
  - Control box which contains a built-in-collision detection system using gyro-sensor technology.
  - Two telescoping columns.
  - Limited finishes available in three paint colors: Charcoal (TR-K), Smooth Plaster (TR-PLS) and Metallic Silver (TR-LE).
- Standard model available in all finishes.
- Includes 9' (2743mm) long black cord with NEMA 5-15P plug.
- Glides have 0.625" (16mm) height adjustment and are standard in black.
- 3" (76mm) Casters have two locking and two non-locking. The locking casters are located on the front of the table. Available in light platinum or fog hub with graphite tread, or black hub with black tread.
- Casters available on tables 58" (1473mm)W or smaller. 64" (1626mm) and 70" (1778mm)W tables available with glides only.
- Depth and width shown in nominal dimensions.
- Ships unassembled.

### Specification Tips

- Wireway option is required for routing of wires or mounting of a monitor arm:
  - When using a screen, if screen is mounted flush to the table the wireway is required for routing cords or mounting a monitor arm.
  - When using the Horizontal Wire Management with Modesty or without, the tray sits flush so the wireway is required for routing of cords and mounting monitor arms.
- Designed to be used with Belong Power Suite or Belong Plug Strip.
- Total lifting capacity of table is 250lbs. including surface; applied weight should be evenly distributed.
- Casters and glides are interchangeable.
- Footrest cannot be retrofitted in the field.
- Screen and monitor arm application. See chart on pricing page.
- Separately specified:
  - Table Tether requires UL962A listed plug strip when specified
  - Table Grip
  - Worksurface Guard Rail
  - Pivoting Tray
  - Vertical cord manager
  - Onboard storage
  - Compose Echo back, center and wrap screens.
  - Belong Plus back screen.
  - Screens and Space Division Price List
  - Horizontal Wire Management with Modesty or without

### To Order, Specify:

- Product number, including:
    - Surface Option:**
      - L** Laminate
      - W** Wood
    - Edge Option:**
      - Laminate:
        - J** Edgeband
        - F** Knife
      - Wood:
        - K** Wood Edgeband
        - U** Knife
    - Wireway/Cutout Option:**
      - C** Without
      - T** Wireway
      - H** Belong Hatch
      - D** Wireway and Belong Hatch
    - Base Option:**
      - Base - No Power Wireway
        - G** Glides - No Footrest
        - H** Glides - Footrest, add **\$288.85** list
        - C** Casters - No Footrest, add **\$27.25** list
        - D** Casters - Footrest, add **\$316.10** list
      - Base - Power Ready
        - R** Glides - No Footrest, add **\$103.55** list
        - S** Glides - Footrest, add **\$392.40** list
        - P** Casters - No Footrest, add **\$130.80** list
        - Q** Casters - Footrest, add **\$419.65** list
    - Height Adjustment Actuator Option:**
      - Dual Stage:
        - U** Standard
        - W** Programmable, add **\$98.10** list
  - Laminate surface color or wood finish color.
  - Edgeband trim color (laminate only)
  - Base trim color.
  - Column color.
  - Caster color.
- Note: \$54.50** upcharge list for Metallic and Accent trim colors.



# Height Adjustable Table

## Rectangular

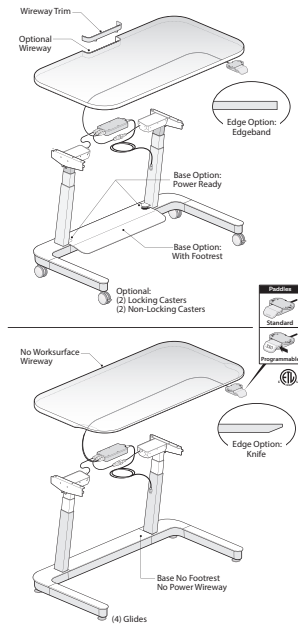
Depth	Width	Top Weight (lbs.)	Number	① ② ③ ④ ⑤	Laminate A		Laminate B		Laminate E		Wood Group A		Wood Group B		
					J	F	J	F	J	F	K	U	K	U	
<b>Limited Finishes Model - No Worksurface Wireway</b>															
29"(737mm)	46"(1168mm)	47	TFRA-2946-	SC	NN	\$2289.00	\$2539.70	\$2337.68	\$2588.38	\$2449.44	\$2700.14	\$2725.00	\$2812.20	\$2751.16	\$2838.36
	54"(1372mm)	53	TFRA-2954-	SC	NN	2335.44	2586.14	2386.76	2637.46	2509.80	2760.50	2799.12	2886.32	2833.12	2920.32
	58"(1473mm)	59	TFRA-2958-	SC	NN	2343.40	2594.10	2396.04	2646.74	2524.72	2775.42	2820.92	2908.12	2858.84	2946.04
	64"(1626mm)	65	TFRA-2964-	SC	NN	2355.34	2606.04	2409.96	2660.66	2547.10	2797.80	2853.62	2940.82	2897.42	2984.62
	70"(1778mm)	71	TFRA-2970-	SC	NN	2367.28	2617.98	2423.88	2674.58	2569.48	2820.18	2886.32	2973.52	2936.00	3023.20
<b>Limited Finishes Model - With Worksurface Wireway or Belong Hatch or Wireway and Belong Hatch</b>															
29"(737mm)	46"(1168mm)	47	TFRA-2946-	S	NN	\$2305.35	\$2556.05	\$2354.03	\$2604.73	\$2465.79	\$2716.49	\$2741.35	\$2828.55	\$2767.51	\$2854.71
	54"(1372mm)	53	TFRA-2954-	S	NN	2351.79	2602.49	2403.11	2653.81	2526.15	2776.85	2815.47	2902.67	2849.47	2936.67
	58"(1473mm)	59	TFRA-2958-	S	NN	2359.75	2610.45	2412.39	2663.09	2541.07	2791.77	2837.27	2924.47	2875.19	2962.39
	64"(1626mm)	65	TFRA-2964-	S	NN	2371.69	2622.39	2426.31	2677.01	2563.45	2814.15	2869.97	2957.17	2913.77	3000.97
	70"(1778mm)	71	TFRA-2970-	S	NN	2383.63	2634.33	2440.23	2690.93	2585.83	2836.53	2902.67	2989.87	2952.35	3039.55
<b>Standard Model - No Worksurface Wireway</b>															
29"(737mm)	46"(1168mm)	47	TFRA-2946-	SC	NG	\$2479.75	\$2730.45	\$2528.43	\$2779.13	\$2546.82	\$2797.52	\$2915.75	\$3002.95	\$2941.91	\$3029.11
	54"(1372mm)	53	TFRA-2954-	SC	NG	2526.19	2776.89	2577.51	2828.21	2596.86	2847.56	2989.87	3077.07	3023.87	3111.07
	58"(1473mm)	59	TFRA-2958-	SC	NG	2534.15	2784.85	2586.79	2837.49	2606.62	2857.32	3011.67	3098.87	3049.59	3136.79
	64"(1626mm)	65	TFRA-2964-	SC	NG	2546.09	2796.79	2600.71	2851.41	2621.26	2871.96	3044.37	3131.57	3088.17	3175.37
	70"(1778mm)	71	TFRA-2970-	SC	NG	2558.03	2808.73	2614.63	2865.33	2635.90	2886.60	3077.07	3164.27	3126.75	3213.95
<b>Standard Model - With Worksurface Wireway or Belong Hatch or Wireway and Belong Hatch</b>															
29"(737mm)	46"(1168mm)	47	TFRA-2946-	S	NG	\$2496.10	\$2746.80	\$2544.78	\$2795.48	\$2563.17	\$2813.87	\$2932.10	\$3019.30	\$2958.26	\$3045.46
	54"(1372mm)	53	TFRA-2954-	S	NG	2542.54	2793.24	2593.86	2844.56	2613.21	2863.91	3006.22	3093.42	3040.22	3127.42
	58"(1473mm)	59	TFRA-2958-	S	NG	2550.50	2801.20	2603.14	2853.84	2622.97	2873.67	3028.02	3115.22	3065.94	3153.14
	64"(1626mm)	65	TFRA-2964-	S	NG	2562.44	2813.14	2617.06	2867.76	2637.61	2888.31	3060.72	3147.92	3104.52	3191.72
	70"(1778mm)	71	TFRA-2970-	S	NG	2574.38	2825.08	2630.98	2881.68	2652.25	2902.95	3093.42	3180.62	3143.10	3230.30

Table Depth and Base	Compose Echo Screens (9 lbs)	Compose Echo Screen with Modesty or Tray (12 lbs)	Monitor Arms (45 lbs-Glides) (15 lbs-Casters)
29X46 Glides or Casters	Yes	Yes*	Yes
29X54 Glides or Casters	Yes	Yes	Yes
29X58 Glides or Casters	Yes	Yes	Yes
29X64 Glides only	Yes	Yes	Yes
29X70 Glides only	Yes	Yes	Yes

\* Tray only option.

# Height Adjustable Table

## Rectangular Radius Corner



TFPA  
Class TR0 - Discount Group XXXII

### Features

- Includes 1.18" (30mm) thick top rectangular worktop, L-leg telescoping base assembly, standard or programmable paddle, wire management clips, adjustable glides or casters, optional footrest, optional worksurface wireway, and hardware.
- Laminate top with knife edge or 3mm edgeband or wood veneer top with 3mm wood edgeband or knife edge. Tops are 3mm all around.
- When Knife Edge is specified with a Rectangular Radius Top, the Knife Edge will wrap around the radius corners on the user edge.
- Optional wireway along back edge of worksurface is color-matched to solid side/back edge trim. When wood veneer or wood grain or patterned laminate is specified, wireway will be Charcoal. Refer to Specification Guide for wireway details.
- Optional Belong Hatch cutout:
  - Laminate tops only with one cutout.
  - Available on worksurfaces 46" (1168mm), 54" (1372mm), 58" (1473mm), 64" (1626mm) and 70" (1778mm).
  - Requires separately specified Belong Hatch.
  - Refer to Specification Guide for cutout details.
- Electric Height adjustment:
  - 1.4" (36mm) per second.
  - Dual Stage
    - Telescoping columns with 24.3" (617mm) continuous adjustment range.
    - Table height adjusts from 27.5" (699mm) to 52" (1321mm) with casters and 24.6" (625mm) to 48.9" (1242mm) with glides, table height includes 1.18" (30mm) table top.
- Paddle Actuator:
  - Standard paddle with up/down control.
  - Programmable paddle with up/down adjustment control, two memory settings, move reminder and OLED display.
  - Can be mounted on left or right side of table using predrilled holes; standard with black housing.
- Base includes:
  - Control box which contains a built-in-collision detection system using gyro-sensor technology.
  - Two telescoping columns.
  - Limited finishes available in three paint colors: Charcoal (TR-K), Smooth Plaster (TR-PLS) and Metallic Silver (TR-LE).
  - Standard model available in all finishes.
- Includes 9' (2743mm) long black cord with NEMA 5-15P plug.
- Glides have 0.625" (16mm) height adjustment and are standard in black.
- 3" (76mm) Casters have two locking and two non-locking. The locking casters are located on the front of the table. Available in light platinum or fog hub with graphite tread, or black hub with black tread.
- Casters available on tables 58" (1473mm)W or smaller. 64" (1626mm) and 70" (1778mm)W tables available with glides only.
- Depth and width shown in nominal dimensions.
- Ships unassembled.

### Specification Tips

- Wireway option is required for routing of wires or mounting of a monitor arm:
  - When using a screen, if screen is mounted flush to the table, the wireway is required for routing cords or mounting a monitor arm.
  - When using the Horizontal Wire Management with Modesty or without, the tray sits flush so the wireway is required for routing of cords and mounting monitor arms.
- Designed to be used with Belong Power Suite and Belong Plug Strip.
- Total lifting capacity of table is 250lbs. including surface; applied weight should be evenly distributed.
- Casters and glides are interchangeable.
- Footrest cannot be retrofitted in the field.
- Screen and monitor arm application. See chart on pricing page.
- Separately specified:
  - Table Tether requires UL962A listed plug strip when specified
  - Table Grip
  - Worksurface guide rail (check name)
  - Pivoting Tray
  - Vertical and horizontal cord manager
  - Onboard storage
  - Screens and Space Division Price List
  - Compose Echo back, center and wrap screens.
  - Belong Plus back screen.
  - Horizontal Wire Management with Modesty or without

### To Order, Specify:

- Product number, including:
    - Surface Option:**
      - L** Laminate
      - W** Wood
    - Edge Option:**
      - Laminate:
        - J** Edgeband
        - F** Knife
      - Wood:
        - K** Wood Edgeband
        - U** Knife
    - Wireway/Cutout Option:**
      - C** Without
      - T** Wireway
      - H** Belong Hatch
      - D** Wireway and Belong Hatch
    - Base Option:**
      - Base - No Power Wireway
        - G** Glides - No Footrest
        - H** Glides - Footrest, add **\$288.85** list
        - C** Casters - No Footrest, add **\$27.25** list
        - D** Casters - Footrest, add **\$316.10** list
      - Base - Power Ready Wireway
        - R** Glides - No Footrest, add **\$103.55** list
        - S** Glides - Footrest, add **\$392.40** list
        - P** Casters - No Footrest, add **\$130.80** list
        - Q** Casters - Footrest, add **\$419.65** list
    - Height Adjustment Actuator Option:**
      - Dual Stage:
        - U** Standard
        - W** Programmable, add **\$98.10** list
  - Laminate surface color or wood finish color.
  - Edgeband trim color (laminate only)
  - Base trim color.
  - Column color.
  - Caster color.
- Note: \$54.50** upcharge list for Metallic and Accent trim colors.

Compose Echo Price List / February 2024

# Height Adjustable Table

## Rectangular Radius Corner

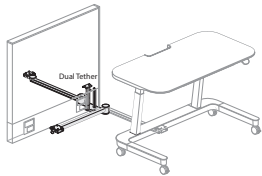
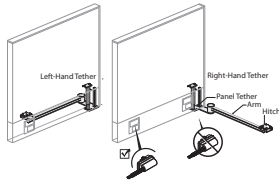
Depth	Width	Top					Laminate A		Laminate B		Laminate E		Wood Group A		Wood Group B		
		Weight (lbs.)	Number	①	②	③	④	⑤	J	F	J	F	J	F	K	U	K
<b>Limited Finishes Model - No Worksurface Wireway</b>																	
29"(737mm)	46"(1168mm)	47	TFPA-2946-	SC	NN	\$2392.55	\$2643.25	\$2441.23	\$2691.93	\$2552.99	\$2803.69	\$2828.55	\$2915.75	\$2854.71	\$2941.91		
	54"(1372mm)	53	TFPA-2954-	SC	NN	2438.99	2689.69	2490.31	2741.01	2613.35	2864.05	2902.67	2989.87	2936.67	3023.87		
	58"(1473mm)	59	TFPA-2958-	SC	NN	2446.95	2697.65	2499.59	2750.29	2628.27	2878.97	2924.47	3011.67	2962.39	3049.59		
	64"(1626mm)	65	TFPA-2964-	SC	NN	2458.89	2709.59	2513.51	2764.21	2650.65	2901.35	2957.17	3044.37	3000.97	3088.17		
	70"(1778mm)	71	TFPA-2970-	SC	NN	2470.83	2721.53	2527.43	2778.13	2673.03	2923.73	2989.87	3077.07	3039.55	3126.75		
<b>Limited Finishes Model - With Worksurface Wireway or Belong Hatch or Wireway and Belong Hatch</b>																	
29"(737mm)	46"(1168mm)	47	TFPA-2946-	S	NN	\$2408.90	\$2659.60	\$2457.58	\$2708.28	\$2569.34	\$2820.04	\$2844.90	\$2932.10	\$2871.06	\$2958.26		
	54"(1372mm)	53	TFPA-2954-	S	NN	2455.34	2706.04	2506.66	2757.36	2629.70	2880.40	2919.02	3006.22	2953.02	3040.22		
	58"(1473mm)	59	TFPA-2958-	S	NN	2463.30	2714.00	2515.94	2766.64	2644.62	2895.32	2940.82	3028.02	2978.74	3065.94		
	64"(1626mm)	65	TFPA-2964-	S	NN	2475.24	2725.94	2529.86	2780.56	2667.00	2917.70	2973.52	3060.72	3017.32	3104.52		
	70"(1778mm)	71	TFPA-2970-	S	NN	2487.18	2737.88	2543.78	2794.48	2689.38	2940.08	3006.22	3093.42	3055.90	3143.10		
<b>Standard Model - No Worksurface Wireway</b>																	
29"(737mm)	46"(1168mm)	47	TFPA-2946-	SC	NG	\$2583.30	\$2834.00	\$2631.98	\$2882.68	\$2650.37	\$2901.07	\$3019.30	\$3106.50	\$3045.46	\$3132.66		
	54"(1372mm)	53	TFPA-2954-	SC	NG	2629.74	2880.44	2681.06	2931.76	2700.41	2951.11	3093.42	3180.62	3127.42	3214.62		
	58"(1473mm)	59	TFPA-2958-	SC	NG	2637.70	2888.40	2690.34	2941.04	2710.17	2960.87	3115.22	3202.42	3153.14	3240.34		
	64"(1626mm)	65	TFPA-2964-	SC	NG	2649.64	2900.34	2704.26	2954.96	2724.81	2975.51	3147.92	3235.12	3191.72	3278.92		
	70"(1778mm)	71	TFPA-2970-	SC	NG	2661.58	2912.28	2718.18	2968.88	2739.45	2990.15	3180.62	3267.82	3230.30	3317.50		
<b>Standard Model - With Worksurface Wireway or Belong Hatch or Wireway and Belong Hatch</b>																	
29"(737mm)	46"(1168mm)	47	TFPA-2946-	S	NG	\$2599.65	\$2850.35	\$2648.33	\$2899.03	\$2666.72	\$2917.42	\$3035.65	\$3122.85	\$3061.81	\$3149.01		
	54"(1372mm)	53	TFPA-2954-	S	NG	2646.09	2896.79	2697.41	2948.11	2716.76	2967.46	3109.77	3196.97	3143.77	3230.97		
	58"(1473mm)	59	TFPA-2958-	S	NG	2654.05	2904.75	2706.69	2957.39	2726.52	2977.22	3131.57	3218.77	3169.49	3256.69		
	64"(1626mm)	65	TFPA-2964-	S	NG	2665.99	2916.69	2720.61	2971.31	2741.16	2991.86	3164.27	3251.47	3208.07	3295.27		
	70"(1778mm)	71	TFPA-2970-	S	NG	2677.93	2928.63	2734.53	2985.23	2755.80	3006.50	3196.97	3284.17	3246.65	3333.85		

Table Depth and Base	Compose Echo Screens (9 lbs)	Compose Echo Screen with Modesty or Tray (12 lbs)	Monitor Arms (45 lbs-Glides) (15 lbs-Casters)
29X46 Glides or Casters	Yes	Yes*	Yes
29X54 Glides or Casters	Yes	Yes	Yes
29X58 Glides or Casters	Yes	Yes	Yes
29X64 Glides only	Yes	Yes	Yes
29X70 Glides only	Yes	Yes	Yes

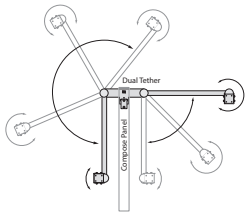
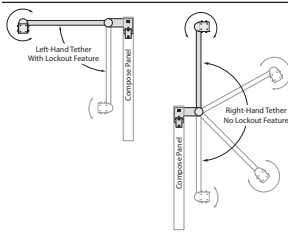
\* Tray only option.

# Height Adjustable Table Accessories

## Table Tether



Top Views



ATWT  
Class TR0 - Discount Group XXXII

### Features

- Includes arm, attachment hardware, hitch, panel foot with pivot and optional lockout feature.
- Accommodates one power cord and up to two data cords.
- Orientation options: Left-hand, right-hand or dual panel foot with pivot.

### Specification Tips

- Use of the Table Tether requires a Belong Power Plug Strip, Belong Power Suite or other UL 962A listed plug strip.
- Table Tether is for use on 46"(1168mm), 54"(1372mm) and 58"(1473mm)W height adjustable tables on casters only.
- Table Tether is designed for use with power ready height adjustable table on casters and wire management (horizontal and vertical).
- Provides clean cable management and keeps the table in a controlled footprint.
- A single sided Table Tether foot extends 6.5"(165mm) out perpendicular to the panel. A dual Table Tether foot extends 6.5"(165mm) on each side of the panel.
- Lockout stops the arm from moving past 90 degrees. Lockout can be added or removed in the field. Refer to specification guide to see full table travel range.
- Table Tether is for use with 30"(762mm) - 72"(1829mm) unloaded Compose Full Panel Frame only.
- A base feed may not be used on the same end of a panel as the attachment location of the tether foot.
- Not for use with Compose Glass Panel, Compose Open Base, Compose Connections, or Compose Beam.
- Refer to Specification Guide for application guidelines.
- Separately specify:
  - 1"(25mm) Mesh cord manager
  - Compose Echo Height Adjustable Table
  - Table Stop
  - Arm to Table Mesh Cord Manager

### To Order, Specify:

1) Product number, including:

**1 Orientation:**

- L** Left-hand
- R** Right-hand
- D** Dual, add **\$271.41** list

**2 Lockout Feature:**

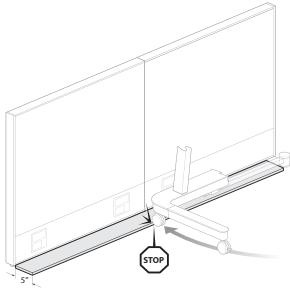
- N** No lockout
- L** Lockout

2) Trim color.

Depth	Width	Number <b>1 2</b>	Trim A	Trim B
2"(51mm)	46"(1168mm)	ATWT-0246-Z ■ ■	\$509.03	\$536.28
	54"(1372mm)	ATWT-0254-Z ■ ■	519.95	547.20
	58"(1473mm)	ATWT-0258-Z ■ ■	525.36	552.61

# Height Adjustable Table Accessories

## Table Stop



ATSR  
Class TRO - Discount Group XXXII

### Features

- Includes one painted table stop, mounting brackets and hardware.
- Intended to create a physical barrier to prevent the table from connecting with panel.
- Non-handed.

### Specification Tips

- Cannot be used without Tether.
- Table Stop attaches to the Tether and the panel. 5"(127mm) of the Tether extends out perpendicular to the table stop.
- Specify to match panel width or span 2 panels less 2.75"(70mm) for the tether foot.
- Table Stop widths of 48"(1219mm), 54"(1372mm), 60"(1524mm), 84"(2134mm), 90"(2286mm) and 96"(2438mm) are not for use with casegoods.
- Applications for panels and storage with panel runs 84"(2134mm), 90"(2286mm) and 96"(2438mm) long and storage 16"(406mm) or 18"(457mm) deep (See For Use With column).
- When used in conjunction with an 18"(457mm) or 24"(610mm) panel, the 24"(610mm) panel must be next to the spine and not at the end of a run.
- Does not interfere with the use of a base feed.
- Not for use with Compose Glass Panel, Compose Open Base, Compose Connections, or Compose Beam.
- Refer to Specification Guide for application guidelines.
- Separately specify:
  - Compose Echo Height Adjustable Table
  - Compose Echo Tether

### To Order, Specify:

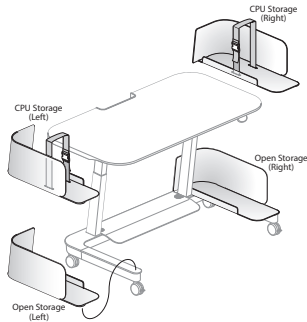
- 1) Product number.
- 2) Trim color.

Depth	Height	Width	For Use With	Number	Trim A	Trim B
5"(127mm)	.05"(1mm)	48"(1219mm)	Panels Only	ATSR-0548-P1Z	\$ 190.75	\$ 198.38
		54"(1372mm)	Panels Only	ATSR-0554-P1Z	236.53	245.78
		60"(1524mm)	Panels Only	ATSR-0560-P1Z	282.31	293.18
		66"(1676mm)	Panels or Panels and 18"(457mm)D Storage	ATSR-0566-P1Z	328.09	340.58
		68"(1727mm)	16"(406mm)D Storage	ATSR-0568-P1Z	343.35	356.38
		72"(1829mm)	Panels and 18"(457mm)D Storage	ATSR-0572-P1Z	373.87	387.98
		74"(1880mm)	16"(406mm)D Storage	ATSR-0574-P1Z	389.13	403.78
		78"(1981mm)	Panels or Panels and 18"(457mm)D Storage	ATSR-0578-P1Z	419.65	435.38
		80"(2032mm)	16"(406mm)D Storage	ATSR-0580-P1Z	434.91	451.18
		84"(2134mm)	Panels	ATSR-0584-P1Z	465.43	482.78
		90"(2286mm)	Panels	ATSR-0590-P1Z	511.21	530.18
		96"(2438mm)	Panels	ATSR-0596-P1Z	556.99	577.58



# Height Adjustable Table Accessories

## Onboard Storage



ATTS  
Class TR0 - Discount Group XXXII

### Features

- Includes one CPU storage with strap or an Open Storage unit and attachment material.
- Unit mounts at fixed position on the base.
- Strap is standard in black.

### Specification Tips

- Designed for the Compose Echo Height Adjustable Table only.
- Compose Echo Height Adjustable Table is designed to be used with one or two units. One on each side.
  - Ensure connections between monitor and CPU are the appropriate length to accommodate height adjustable table travel.
  - CPU holder and Open Storage weight limit 60lbs.
  - Can be retrofitted in the field.
- Onboard Storage is not for use with:
  - Back Screen with modesty.
  - Full Wrap Screen with modesty for Rectangular or Rectangular Radius Corner.
- Compose Echo Corner Screen with Modesty for Rectangular and Rectangular Radius Corner are compatible with Onboard Storage when:
  - The screen is specified to match table size on 46"(1168mm), 54"(1372mm), and 58"(1473mm)W tables.
  - When the screen is mounted opposite the Onboard Storage on the table.
- Separately specify:
  - Compose Echo Height Adjustable Table

**NOTE:** Compose Echo screens without modesty are compatible with the Onboard Storage.

### To Order, Specify:

1) Product number, including:

**1 Orientation:**

**L** Left-hand

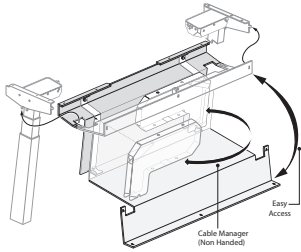
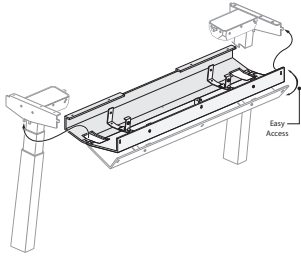
**R** Right-hand

2) Trim color.

Description	Height	Width	Number <b>1</b>	Trim A	Trim B
CPU Storage	9.75"(248mm)	11"(279mm)	ATTS-1011-PC <b>L</b> T	\$337.90	\$359.70
Open Storage	9.75"(248mm)	11"(279mm)	ATTS-1011-PO <b>L</b> T	272.50	294.30

# Height Adjustable Table Accessories

## Horizontal Wire Management with Modesty or without



ATWN  
Class TR0 - Discount Group XXXII

### Features

- Includes one PET (Polyethylene Terephthalate) cable manager and attachment hardware.
- Accommodates one power cord and up to two data cords.
- Available in two colors: Dusk and Mink.
- Access via hinge on user side without tools.
- Cable manager:
  - Modesty includes cable track and tray
  - No Modesty includes tray
- Ships unassembled.

### Specification Tips

- **For use with Compose Echo table only. For a PET wire management without modesty refer to Belong Horizontal Wire Manager (AKWN).**
- A Furniture Power Distribution Unit UL962A listed with a minimum 9'(2743mm) cord must be installed in the bottom of the modesty in order to use the cable manager modesty with a Compose Echo Tether. The Belong Power Suite is recommended but not required.
- Modesty is designed for use on Compose Echo tables specified with a worksurface wireway.
- When using with Belong Hatch:
  - No Modesty - workspace wireway can only be used with grommet mount only monitor arm and needs to be offset.
  - Modesty - worksurface wireway can be used with grommet or low-profile monitor arm but still has to be offset.
- A separately specified Vertical Wire Manager (ETAW-1000-PT) is required when using the Horizontal Wire Management Modesty Panel on Compose Echo tables.
- Use a low profile monitor arm bracket clearance with the tray.
- Refer to the Specification Guide for additional details.
- Application may require approval of local authority having jurisdiction (AHJ); ensure compliance before placing orders and installation.
- Separately specify:
  - Compose Echo Height Adjustable Table
  - Vertical Wire Manager (required)
  - Mesh Cord Manager

### To Order, Specify:

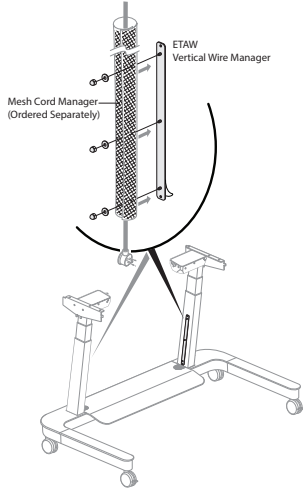
- 1) Product number.
- 2) PET color.
  - PET-C1 Dusk
  - PET-C4 Mink

Depth	Width	Number	Price
<b>No Modesty</b>			
12"(305mm)	46"(1168mm)	ATWN-1246-ETN	\$283.40
	54"(1372mm)	ATWN-1254-ETN	294.30
<b>Modesty</b>			
12"(305mm)	54"(1372mm)	ATWM-1254-ETN	\$594.05

# Height Adjustable Table Accessories

## Wire Manager

### Vertical Wire Manager



ETAW  
Class TR0 - Discount Group XXXII

#### Features

- Includes one painted metal 13"(330mm) cord manager and attachment material.
- Cord manager can be mounted on the leg of a Compose Echo Table.
- Field installed.

#### Specification Tips

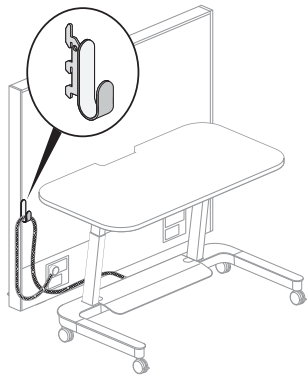
- Designed to be used with the 1"(25mm) Mesh Cord Wire Manager.
- Vertical Wire Manager is required when using the Horizontal Wire Management Modesty Panel on Compose Echo tables.
- Mounts to lower section of a table leg.
- Designed to be used with separately specified Compose Echo Tables, Belong Power Strip, Belong Suite or Horizontal Wire Management Modesty Panel or Tray.

#### To Order, Specify:

- 1) Product number.
- 2) Trim color.

Length	Number	Trim A	Trim B
13"(330mm)	ETAW-1000-PT	\$69.76	\$75.21

### Cable Management Hook



EZAH-0200-P  
Class TR0 - Discount Group XXXII

#### Features

- Includes five hooks.
- Mounts in the standard Compose panel slots.
- Field installed.

#### Specification Tips

- Designed to be used with the 1"(25mm) Mesh Cord Wire Manager.
- Specify for cord management as needed.
- Two hooks cannot share the same location on the Compose panel slots.

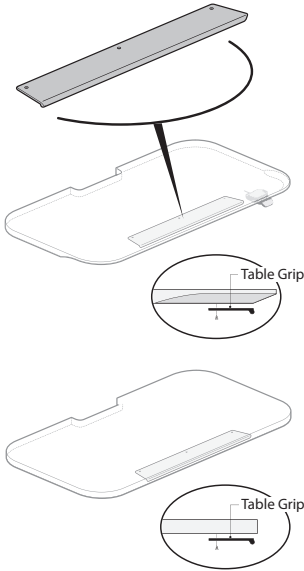
#### To Order, Specify:

- 1) Product number.
- 2) Trim color.

Number	Trim A	Trim B
EZAH-0200-P	\$179.85	\$185.30

# Height Adjustable Table Accessories

## Table Grip



**Features**

- Includes one .5"(13mm)H painted metal grip and attachment hardware.
- Mounted under the table to aid in mobility of the table.
- Field installed.

**Specification Tips**

- Recommended for use with knife edge. May be used with 3mm edge profiles.
- Designed to be used with any tables with casters.

**To Order, Specify:**

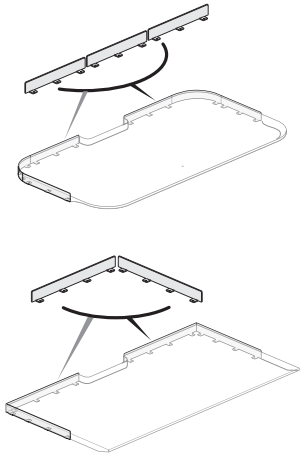
- 1) Product number.
- 2) Trim color.

AUTG  
Class TR0 - Discount Group XXXII

Application	Height	Grip Width	Table Width	Number	Trim A	Trim B
For use with 46"(1168mm) Wide Table	.5"(13mm)	19.5"(495mm)	46"(1168mm)	AUTG-0146-P	\$ 89.53	\$ 93.20
For use with 54"(1372mm) Wide Table		27.5"(699mm)	54"(1372mm)	AUTG-0154-P	97.37	101.92
For use with 58"(1473mm) Wide Table		31.5"(800mm)	58"(1473mm)	AUTG-0158-P	101.29	106.28

# Height Adjustable Table Accessories

## Worksurface Guard Rail



ATTL  
Class TR0 - Discount Group XXXII

### Features

- Includes one .375"(10mm)H painted multi-piece metal rail and attachment hardware.
- Prevents objects from rolling off of worksurface.
- Field installed.

### Specification Tips

- Recommended for use with tables without screens, with back screens, with corner but not for use with full wrap screens.
- Designed to be used with Compose Echo height adjustable tables, Upside height adjustable tables, Planes and Planes Value height adjustable tables and Adaptable Worksurfaces without notches.
- Worksurface Guard Rail interferes with monitor arm installation and surface mounted power. Specify table with cutout for monitor arm and surface mounted power installation.

### To Order, Specify:

1) Product number.

**1 Wireway Option:**

**C** No Wireway

**T** Wireway, add **\$32.70** list

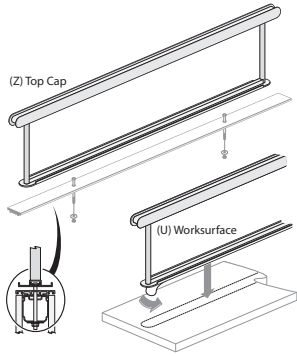
2) Trim color.

Height	Width	Number <b>1</b>	Trim A	Trim B
<b>Rectangular</b>				
.375"(10mm)	46"(1168mm)	ATTL-0246-PR <input type="checkbox"/>	\$130.80	\$ 141.70
	54"(1372mm)	ATTL-0254-PR <input type="checkbox"/>	136.48	147.38
	58"(1473mm)	ATTL-0258-PR <input type="checkbox"/>	139.32	150.22
	64"(1626mm)	ATTL-0264-PR <input type="checkbox"/>	143.58	154.48
	70"(1778mm)	ATTL-0270-PR <input type="checkbox"/>	147.84	158.74
<b>Rectangular Radius Corner</b>				
.375"(10mm)	46"(1168mm)	ATTL-0246-PP <input type="checkbox"/>	\$ 190.75	\$201.65
	54"(1372mm)	ATTL-0254-PP <input type="checkbox"/>	196.43	207.33
	58"(1473mm)	ATTL-0258-PP <input type="checkbox"/>	199.27	210.17
	64"(1626mm)	ATTL-0264-PP <input type="checkbox"/>	203.53	214.43
	70"(1778mm)	ATTL-0270-PP <input type="checkbox"/>	207.79	218.69



# Compose Echo Accessory

## Accessory Frame – Open



STUC-P  
Class TR0 – Discount Group XXXII

### Features

- Includes painted frame and attachment hardware.
- Frame is field installed.
- 2.5”(64mm) horizontal depth at the bottom of the frame.
- Height and width shown in nominal dimensions.

### Specification Tips

- Designed to support Tablet Markerboard (22”(559mm) X 30”(762mm)) and hang Belong Worktools. Not for use with the medium Tablet Markerboard (30”(762mm) x 48”(1219mm)).
- Will not align to Integrated Palette height dimensional logic.
- Panel Top Trim Mounted:
  - Connects Compose Panels 50”(1270mm)H or less, Compose Connections or Compose Beam with steel or aluminum top trim.
  - Separately specified panel top trim must be field drilled.
  - 36”(914mm)-84”(2134mm)W Accessory Frame - Open mount to the panel top trim. 24”(610mm) and 30”(762mm)W will not work with panel top trim mount.
  - May span up to two panels. Spanning Top trim is recommended.
  - Not for use with with workrail top trim.**
- Surface Mounted:
  - Uses double sided attachment material.
  - 24”(610mm)-84”(2134mm)W Accessory Frame - Open mounted to worksurfaces.
  - Not designed to span multiple worksurfaces.
- Non-handed, usable on both sides of panel or worksurface.
- Accessory Frame - Open cannot be converted to Accessory Frame - Fabric.
- Each side of the Accessory Frame - Open can support 5lbs.
- Separately specify:
  - Tablet Markerboard (22”(559mm) x 30”(762mm)
  - 24”(610mm)-42”(1067mm) Accessory Frame - Open 1 Tablet Markerboard per side
  - 48”(1219mm)-84”(2134mm) Accessory Frame - Open 2 Tablet Markerboards per side
  - Belong Mini Tray
  - Belong Tool Cup
  - Belong Hanging Sorter
- Refer to the Specification Guide for mounting application guidelines.

### To Order, Specify:

1) Product number, including:

**1 Panel Top Trim or Worksurface Option:**

- Z** Compose Aluminum or Steel Top Cap, add **\$10.90** list
- U** Surface Mount

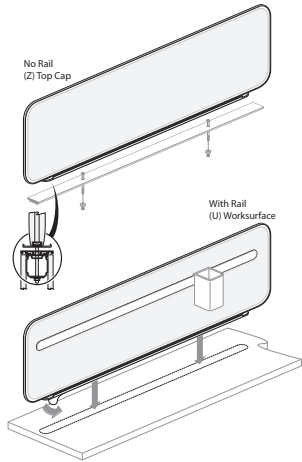
2) Bottom rail color.

3) Frame color.

Height	Width	Number <b>1</b>	Trim A	Trim B
13”(330mm)	24”(610mm)	STUC-1324-PNU	\$ 219.53	\$224.98
	30”(762mm)	STUC-1330-PNU	254.87	260.48
	36”(914mm)	STUC-1336-PN ■	290.21	295.82
	42”(1067mm)	STUC-1342-PN ■	325.55	331.16
	48”(1219mm)	STUC-1348-PN ■	360.89	366.50
	54”(1372mm)	STUC-1354-PN ■	396.23	401.84
	60”(1524mm)	STUC-1360-PN ■	431.57	437.18
	66”(1676mm)	STUC-1366-PN ■	466.91	472.52
	72”(1829mm)	STUC-1372-PN ■	502.25	507.86
	78”(1981mm)	STUC-1378-PN ■	537.59	543.20
	84”(2134mm)	STUC-1384-PN ■	572.93	578.54

# Compose Echo Accessory

## Accessory Frame – Fabric



STUC-F  
Class TR0 – Discount Group XXXII

### Features

- Includes frame with fabric screen and attachment material.
- Fabric surface is tackable.
- Frame is field installed.
- 2.5”(64mm) horizontal depth at the bottom of the frame.
- 12”(305mm)H Screen does not allow for accessory rail.
- Height and width shown in nominal dimensions.

### Specification Tips

- Designed to support Tablet Markerboard (22”(559mm) x 30”(762mm)) and hang Belong Worktools. Not for use with the medium Tablet Markerboard (30”(762mm) x 48”(1219mm)).
- Small Tablet Markerboard requires Accessory Rail option.
- Panel Top Trim Mounted:
  - Connects Compose Panels 50”(1270mm)H or less, Compose Connections or Compose Beam with steel or aluminum top trim.
  - Separately specified panel top trim must be field drilled.
  - 36”(914mm)-84”(2134mm)W Accessory Frame - Fabric mount to the panel top trim.
  - May span up to two panels. Spanning Top trim is recommended.
  - Not for use with with workrail top trim.**
- Surface Mounted:
  - Uses double sided attachment material.
  - 24”(610mm)-84”(2134mm)W Accessory Frame - Fabric mounted to worksurfaces.
  - Not designed to span multiple worksurfaces.
- Non-handed, usable on both sides of panel or worksurface.
- Accessory Frame - Fabric cannot be converted to Accessory Frame - Open.
- Accessory Rail cannot be modified in the field.
- Each side of the Accessory Frame - Fabric with rail can support 5lbs.
- Separately specify with Accessory Rail option:
  - Tablet Markerboard (22”(559mm) x 30”(762mm)
  - 24”(610mm)-42”(1067mm) Accessory Frame - Fabric - 1 Tablet Markerboard per side
  - 48”(1219mm)-84”(2134mm) Accessory Frame - Fabric - 2 Tablet Markerboards per side
  - Belong Mini Tray
  - Belong Tool Cup
  - Belong Hanging Sorter
- Refer to the Specification Guide for mounting application guidelines.

### To Order, Specify:

1) Product number, including:

**1 Rail Option:**

- N** No Rail
- R** Accessory Rail, add **\$228.90** list

2) Trim color for frame.

3) Fabric color.

4) Accessory rail color (if needed).

**Note: \$5.45** upcharge list for Metallic and Accent trim colors.

# Compose Echo Accessory

## Accessory Frame – Fabric

Height	Width	Number ①	Fabric Grade							
			A	B	C	D	E	F	G	H
<b>For use with Worksurfaces</b>										
12"(305mm)	24"(610mm)	STUC-1224-FNU	\$ 376.05	\$ 399.76	\$ 426.63	\$ 455.08	\$ 483.52	\$ 523.04	\$ 546.74	\$ 585.21
	30"(762mm)	STUC-1230-FNU	421.83	447.16	475.77	506.14	536.44	578.60	603.86	644.85
	36"(914mm)	STUC-1236-FNU	467.61	494.56	524.91	557.20	589.36	634.16	660.98	704.49
	42"(1067mm)	STUC-1242-FNU	513.39	541.96	574.05	608.26	642.28	689.72	718.10	764.13
	48"(1219mm)	STUC-1248-FNU	559.17	589.36	623.19	659.32	695.20	745.28	775.22	823.77
	54"(1372mm)	STUC-1254-FNU	604.95	636.76	672.33	710.38	748.12	800.84	832.34	883.41
	60"(1524mm)	STUC-1260-FNU	650.73	684.16	721.47	761.44	801.04	856.40	889.46	943.05
	66"(1676mm)	STUC-1266-FNU	805.51	840.56	879.61	921.50	962.96	1020.96	1055.58	1111.69
	72"(1829mm)	STUC-1272-FNU	851.29	887.96	928.75	972.56	1015.88	1076.52	1112.70	1171.33
	78"(1981mm)	STUC-1278-FNU	897.07	935.36	977.89	1023.62	1068.80	1132.08	1169.82	1230.97
	84"(2134mm)	STUC-1284-FNU	942.85	982.76	1027.03	1074.68	1121.72	1187.64	1226.94	1290.61
20"(508mm)	24"(610mm)	STUC-1924-F U	\$ 388.29	\$ 413.75	\$ 440.89	\$ 469.61	\$ 498.32	\$ 538.22	\$ 562.15	\$ 600.99
	30"(762mm)	STUC-1930-F U	434.07	461.15	490.03	520.67	551.24	593.78	619.27	660.63
	36"(914mm)	STUC-1936-F U	479.85	508.55	539.17	571.73	604.16	649.34	676.39	720.27
	42"(1067mm)	STUC-1942-F U	525.63	555.95	588.31	622.79	657.08	704.90	733.51	779.91
	48"(1219mm)	STUC-1948-F U	571.41	603.35	637.45	673.85	710.00	760.46	790.63	839.55
	54"(1372mm)	STUC-1954-F U	617.19	650.75	686.59	724.91	762.92	816.02	847.75	899.19
	60"(1524mm)	STUC-1960-F U	662.97	698.15	735.73	775.97	815.84	871.58	904.87	958.83
	66"(1676mm)	STUC-1966-F U	817.75	854.55	893.87	936.03	977.76	1036.14	1070.99	1127.47
	72"(1829mm)	STUC-1972-F U	863.53	901.95	943.01	987.09	1030.68	1091.70	1128.11	1187.11
	78"(1981mm)	STUC-1978-F U	909.31	949.35	992.15	1038.15	1083.60	1147.26	1185.23	1246.75
	84"(2134mm)	STUC-1984-F U	955.09	996.75	1041.29	1089.21	1136.52	1202.82	1242.35	1306.39
<b>For use with 1.5"(38mm) Be_Hold Storage with .75"(19mm) Tops</b>										
19"(483mm)	24"(610mm)	STUC-2024-F U	\$ 388.29	\$ 413.75	\$ 440.89	\$ 469.61	\$ 498.32	\$ 538.22	\$ 562.15	\$ 600.99
	30"(762mm)	STUC-2030-F U	434.07	461.15	490.03	520.67	551.24	593.78	619.27	660.63
	36"(914mm)	STUC-2036-F U	479.85	508.55	539.17	571.73	604.16	649.34	676.39	720.27
	42"(1067mm)	STUC-2042-F U	525.63	555.95	588.31	622.79	657.08	704.90	733.51	779.91
	48"(1219mm)	STUC-2048-F U	571.41	603.35	637.45	673.85	710.00	760.46	790.63	839.55
	54"(1372mm)	STUC-2054-F U	617.19	650.75	686.59	724.91	762.92	816.02	847.75	899.19
	60"(1524mm)	STUC-2060-F U	662.97	698.15	735.73	775.97	815.84	871.58	904.87	958.83
	66"(1676mm)	STUC-2066-F U	817.75	854.55	893.87	936.03	977.76	1036.14	1070.99	1127.47
	72"(1829mm)	STUC-2072-F U	863.53	901.95	943.01	987.09	1030.68	1091.70	1128.11	1187.11
	78"(1981mm)	STUC-2078-F U	909.31	949.35	992.15	1038.15	1083.60	1147.26	1185.23	1246.75
	84"(2134mm)	STUC-2084-F U	955.09	996.75	1041.29	1089.21	1136.52	1202.82	1242.35	1306.39
27"(686mm)	24"(610mm)	STUC-2724-F U	\$ 551.60	\$ 577.06	\$ 604.20	\$ 632.92	\$ 661.63	\$ 701.53	\$ 725.46	\$ 764.30
	30"(762mm)	STUC-2730-F U	597.38	624.46	653.34	683.98	714.55	757.09	782.58	823.94
	36"(914mm)	STUC-2736-F U	643.16	671.86	702.48	735.04	767.47	812.65	839.70	883.58
	42"(1067mm)	STUC-2742-F U	688.94	719.26	751.62	786.10	820.39	868.21	896.82	943.22
	48"(1219mm)	STUC-2748-F U	734.72	766.66	800.76	837.16	873.31	923.77	953.94	1002.86
	54"(1372mm)	STUC-2754-F U	780.50	814.06	849.90	888.22	926.23	979.33	1011.06	1062.50
	60"(1524mm)	STUC-2760-F U	826.28	861.46	899.04	939.28	979.15	1034.89	1068.18	1122.14
	66"(1676mm)	STUC-2766-F U	981.06	1017.86	1057.18	1099.34	1141.07	1199.45	1234.30	1290.78
	72"(1829mm)	STUC-2772-F U	1026.84	1065.26	1106.32	1150.40	1193.99	1255.01	1291.42	1350.42
	78"(1981mm)	STUC-2778-F U	1072.62	1112.66	1155.46	1201.46	1246.91	1310.57	1348.54	1410.06
	84"(2134mm)	STUC-2784-F U	1118.40	1160.06	1204.60	1252.52	1299.83	1366.13	1405.66	1469.70

# Compose Echo Accessory

## Accessory Frame – Fabric

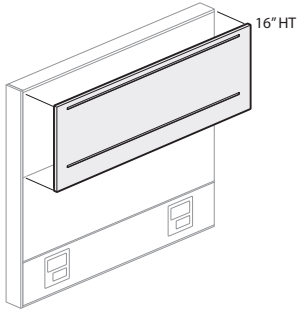
Height	Width	Number ①	Fabric Grade							
			A	B	C	D	E	F	G	H
<b>For use with Be_Hold on 9"(229mm) Legs</b>										
16"(406mm)	24"(610mm)	STUC-1624-F U	\$ 382.17	\$ 407.63	\$ 434.77	\$ 463.49	\$ 492.20	\$ 532.10	\$ 556.03	\$ 594.87
	30"(762mm)	STUC-1630-F U	427.95	455.03	483.91	514.55	545.12	587.66	613.15	654.51
	36"(914mm)	STUC-1636-F U	473.73	502.43	533.05	565.61	598.04	643.22	670.27	714.15
	42"(1067mm)	STUC-1642-F U	519.51	549.83	582.19	616.67	650.96	698.78	727.39	773.79
	48"(1219mm)	STUC-1648-F U	565.29	597.23	631.33	667.73	703.88	754.34	784.51	833.43
	54"(1372mm)	STUC-1654-F U	611.07	644.63	680.47	718.79	756.80	809.90	841.63	893.07
	60"(1524mm)	STUC-1660-F U	656.85	692.03	729.61	769.85	809.72	865.46	898.75	952.71
	66"(1676mm)	STUC-1666-F U	811.63	848.43	887.75	929.91	971.64	1030.02	1064.87	1121.35
	72"(1829mm)	STUC-1672-F U	857.41	895.83	936.89	980.97	1024.56	1085.58	1121.99	1180.99
	78"(1981mm)	STUC-1678-F U	903.19	943.23	986.03	1032.03	1077.48	1141.14	1179.11	1240.63
84"(2134mm)	STUC-1684-F U	948.97	990.63	1035.17	1083.09	1130.40	1196.70	1236.23	1300.27	
24"(610mm)	24"(610mm)	STUC-2424-F U	\$395.94	\$ 421.40	\$ 448.54	\$ 477.26	\$ 505.97	\$ 545.87	\$ 569.80	\$ 608.64
	30"(762mm)	STUC-2430-F U	441.72	468.80	497.68	528.32	558.89	601.43	626.92	668.28
	36"(914mm)	STUC-2436-F U	487.50	516.20	546.82	579.38	611.81	656.99	684.04	727.92
	42"(1067mm)	STUC-2442-F U	533.28	563.60	595.96	630.44	664.73	712.55	741.16	787.56
	48"(1219mm)	STUC-2448-F U	579.06	611.00	645.10	681.50	717.65	768.11	798.28	847.20
	54"(1372mm)	STUC-2454-F U	624.84	658.40	694.24	732.56	770.57	823.67	855.40	906.84
	60"(1524mm)	STUC-2460-F U	670.62	705.80	743.38	783.62	823.49	879.23	912.52	966.48
	66"(1676mm)	STUC-2466-F U	825.40	862.20	901.52	943.68	985.41	1043.79	1078.64	1135.12
	72"(1829mm)	STUC-2472-F U	871.18	909.60	950.66	994.74	1038.33	1099.35	1135.76	1194.76
	78"(1981mm)	STUC-2478-F U	916.96	957.00	999.80	1045.80	1091.25	1154.91	1192.88	1254.40
84"(2134mm)	STUC-2484-F U	962.74	1004.40	1048.94	1096.86	1144.17	1210.47	1250.00	1314.04	

# Compose Echo Accessory

## Accessory Frame – Fabric

Height	Width	Number ①	Fabric Grade							
			A	B	C	D	E	F	G	H
<b>For use with Compose, Compose Connections and Compose Beam</b>										
12"(305mm)	36"(914mm)	STUC-1236-FNZ	\$ 478.51	\$505.46	\$ 535.81	\$ 568.10	\$ 600.26	\$ 645.06	\$ 671.88	\$ 715.39
	42"(1067mm)	STUC-1242-FNZ	524.29	552.86	584.95	619.16	653.18	700.62	729.00	775.03
	48"(1219mm)	STUC-1248-FNZ	570.07	600.26	634.09	670.22	706.10	756.18	786.12	834.67
	54"(1372mm)	STUC-1254-FNZ	615.85	647.66	683.23	721.28	759.02	811.74	843.24	894.31
	60"(1524mm)	STUC-1260-FNZ	661.63	695.06	732.37	772.34	811.94	867.30	900.36	953.95
	66"(1676mm)	STUC-1266-FNZ	816.41	851.46	890.51	932.40	973.86	1031.86	1066.48	1122.59
	72"(1829mm)	STUC-1272-FNZ	862.19	898.86	939.65	983.46	1026.78	1087.42	1123.60	1182.23
	78"(1981mm)	STUC-1278-FNZ	907.97	946.26	988.79	1034.52	1079.70	1142.98	1180.72	1241.87
	84"(2134mm)	STUC-1284-FNZ	953.75	993.66	1037.93	1085.58	1132.62	1198.54	1237.84	1301.51
16"(406mm)	36"(914mm)	STUC-1636-F Z	\$484.63	\$ 513.33	\$ 543.95	\$ 576.51	\$ 608.94	\$ 654.12	\$ 681.17	\$ 725.05
	42"(1067mm)	STUC-1642-F Z	530.41	560.73	593.09	627.57	661.86	709.68	738.29	784.69
	48"(1219mm)	STUC-1648-F Z	576.19	608.13	642.23	678.63	714.78	765.24	795.41	844.33
	54"(1372mm)	STUC-1654-F Z	621.97	655.53	691.37	729.69	767.70	820.80	852.53	903.97
	60"(1524mm)	STUC-1660-F Z	667.75	702.93	740.51	780.75	820.62	876.36	909.65	963.61
	66"(1676mm)	STUC-1666-F Z	822.53	859.33	898.65	940.81	982.54	1040.92	1075.77	1132.25
	72"(1829mm)	STUC-1672-F Z	868.31	906.73	947.79	991.87	1035.46	1096.48	1132.89	1191.89
	78"(1981mm)	STUC-1678-F Z	914.09	954.13	996.93	1042.93	1088.38	1152.04	1190.01	1251.53
	84"(2134mm)	STUC-1684-F Z	959.87	1001.53	1046.07	1093.99	1141.30	1207.60	1247.13	1311.17
24"(610mm)	36"(914mm)	STUC-2436-F Z	\$498.40	\$ 527.10	\$ 557.72	\$ 590.28	\$ 622.71	\$ 667.89	\$ 694.94	\$ 738.82
	42"(1067mm)	STUC-2442-F Z	544.18	574.50	606.86	641.34	675.63	723.45	752.06	798.46
	48"(1219mm)	STUC-2448-F Z	589.96	621.90	656.00	692.40	728.55	779.01	809.18	858.10
	54"(1372mm)	STUC-2454-F Z	635.74	669.30	705.14	743.46	781.47	834.57	866.30	917.74
	60"(1524mm)	STUC-2460-F Z	681.52	716.70	754.28	794.52	834.39	890.13	923.42	977.38
	66"(1676mm)	STUC-2466-F Z	836.30	873.10	912.42	954.58	996.31	1054.69	1089.54	1146.02
	72"(1829mm)	STUC-2472-F Z	882.08	920.50	961.56	1005.64	1049.23	1110.25	1146.66	1205.66
	78"(1981mm)	STUC-2478-F Z	927.86	967.90	1010.70	1056.70	1102.15	1165.81	1203.78	1265.30
	84"(2134mm)	STUC-2484-F Z	973.64	1015.30	1059.84	1107.76	1155.07	1221.37	1260.90	1324.94

# Compose Echo Integrated Slotted Accessory Tile



VZTI-ANN  
Class TR0 - Discount Group XXXII

### Features

- Includes one slotted tile with integrated backer, two slots and attachment brackets.
- Compose Echo Accessory Ledge, Belong work tools or Jump Stuff slat tile tools can be used with Slotted Accessory Tile.

### Specification Tips

- Tile width to be the same as the Full Panel Frame or Stack Frame; may not span frames.
- **Aligner/Light Blocks are required and separately specified based upon tile configuration.**
- Concealed base feed cannot be used with Slotted Accessory tile to floor applications.
- 18"(457mm)W tile will not accommodate 14"(356mm) or 28"(711mm)W Compose Echo Ledge.
- 24"(610mm)W and 30"(762mm)W will not accommodate a 28"(711mm) wide Compose Echo Ledge.
- Vertical panel frame face dimensions:
  - Panel frame/non-raceway cover = frame height minus 2"(51mm)
  - Panel frame/with raceway cover = frame height minus 10"(254mm)
- Refer to Compose Specification Guide for Planning with Tiles and Aligner/Light Blocks.

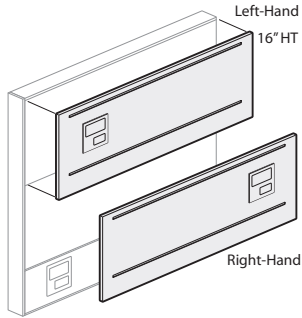
### To Order, Specify:

- 1) Product number.
- 2) Tile trim color.

Height	Width	Number	Trim A	Trim B
16"(406mm)	18"(457mm)	VZTI-1618-ANN	\$436.00	\$ 446.90
	24"(610mm)	VZTI-1624-ANN	464.34	477.42
	30"(762mm)	VZTI-1630-ANN	492.68	507.94
	36"(914mm)	VZTI-1636-ANN	521.02	538.46
	42"(1067mm)	VZTI-1642-ANN	549.36	568.98
	48"(1219mm)	VZTI-1648-ANN	577.70	599.50
	54"(1372mm)	VZTI-1654-ANN	606.04	630.02
	60"(1524mm)	VZTI-1660-ANN	634.38	660.54
24"(610mm)	72"(1829mm)	VZTI-1672-ANN	1078.01	1108.53
	18"(457mm)	VZTI-2418-ANN	\$506.85	\$ 523.20
	24"(610mm)	VZTI-2424-ANN	562.44	580.97
	30"(762mm)	VZTI-2430-ANN	618.03	638.74
	36"(914mm)	VZTI-2436-ANN	673.62	696.51
	42"(1067mm)	VZTI-2442-ANN	729.21	754.28
	48"(1219mm)	VZTI-2448-ANN	784.80	812.05
	54"(1372mm)	VZTI-2454-ANN	840.39	869.82
	60"(1524mm)	VZTI-2460-ANN	895.98	927.59
	72"(1829mm)	VZTI-2472-ANN	1612.11	1648.08

# Compose Echo Integrated

## Slotted Accessory Tile / Single



VZTI-A\_N  
Class TR0 - Discount Group XXXII

### Features

- Includes one metal slotted tile with two slots, one utility bezel and attachment brackets.
- Compose Echo Accessory Ledge, Belong work tools or JumpStuff slat tile tools can be used with Slotted Accessory Tile.

### Specification Tips

- Tile width to be the same as the Full Panel Frame or Stack Frame; may not span frames.
- Tiles must be placed at appropriate height to align with power access location.
- Power can be routed horizontally at raceway, beltline, and below worksurface locations.
  - Capability to route power at below worksurface height requires it to be specified with Full Panel Frame with Below Worksurface Power.
- **Receptacle and data blank plates must be specified separately.**
- **Aligner/Light Blocks are required and separately specified based upon tile configuration.**
- Concealed base feed cannot be used with Slotted Accessory tile to floor applications.
- 24"(610mm)W and 30"(762mm)W will not accommodate a 28"(711mm) wide Compose Echo Ledge.
- Vertical panel frame face dimensions:
  - Panel frame/non-raceway cover = frame height minus 2"(51mm)
  - Panel frame/with raceway cover = frame height minus 10"(254mm)
- Refer to Compose Specification Guide for Planning with Tiles and Aligner/Light Blocks.

### To Order, Specify:

1) Product number, including:

**1 Power Option:**

**L** Left-hand

**R** Right-hand

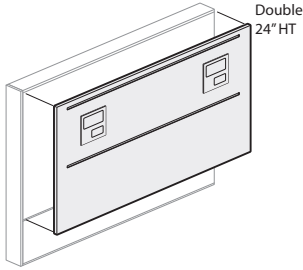
2) Tile trim color.

3) Non-metallic trim color for bezel.

Height	Width	Number <b>1</b>	Trim A	Trim B
16"(406mm)	24"(610mm)	VZTI-1624-A <input type="checkbox"/> N	\$ 502.49	\$ 515.57
	30"(762mm)	VZTI-1630-A <input type="checkbox"/> N	530.83	546.09
	36"(914mm)	VZTI-1636-A <input type="checkbox"/> N	559.17	576.61
	42"(1067mm)	VZTI-1642-A <input type="checkbox"/> N	587.51	607.13
	48"(1219mm)	VZTI-1648-A <input type="checkbox"/> N	615.85	637.65
	54"(1372mm)	VZTI-1654-A <input type="checkbox"/> N	644.19	668.17
	60"(1524mm)	VZTI-1660-A <input type="checkbox"/> N	672.53	698.69
24"(610mm)	72"(1829mm)	VZTI-1672-A <input type="checkbox"/> N	1116.16	1146.68
	24"(610mm)	VZTI-2424-A <input type="checkbox"/> N	\$ 600.59	\$ 619.12
	30"(762mm)	VZTI-2430-A <input type="checkbox"/> N	656.18	676.89
	36"(914mm)	VZTI-2436-A <input type="checkbox"/> N	711.77	734.66
	42"(1067mm)	VZTI-2442-A <input type="checkbox"/> N	767.36	792.43
	48"(1219mm)	VZTI-2448-A <input type="checkbox"/> N	822.95	850.20
	54"(1372mm)	VZTI-2454-A <input type="checkbox"/> N	878.54	907.97
	60"(1524mm)	VZTI-2460-A <input type="checkbox"/> N	934.13	965.74
	72"(1829mm)	VZTI-2472-A <input type="checkbox"/> N	1650.26	1686.23

# Compose Echo Integrated

## Slotted Accessory Tile / Double



VZTI-ADN  
Class TR0 - Discount Group XXXII

### Features

- Includes one metal slotted tile with two slots, two utility bezels and attachment brackets.
- Compose Echo Accessory Ledge, Belong work tools or JumpStuff slat tile tools can be used with Slotted Accessory Tile.

### Specification Tips

- Tile width to be the same as the Full Panel Frame or Stack Frame; may not span frames.
- Tiles must be placed at appropriate height to align with power access location.
- Power can be routed horizontally at raceway, beltline, and below worksurface locations.
  - Capability to route power at below worksurface height requires it to be specified with Full Panel Frame with Below Worksurface Power.
- **Receptacle and data blank plates must be specified separately.**
- **Aligner/Light Blocks are required and separately specified based upon tile configuration.**
- Concealed base feed cannot be used with Slotted Accessory tile to floor applications.
- 24”(610mm)W and 30”(762mm)W will not accommodate a 28”(711mm) wide Compose Echo Ledge.
- Vertical panel frame face dimensions:
  - Panel frame/non-raceway cover = frame height minus 2”(51mm)
  - Panel frame/with raceway cover = frame height minus 10”(254mm)
- Refer to Compose Specification Guide for Planning with Tiles and Aligner/Light Blocks.

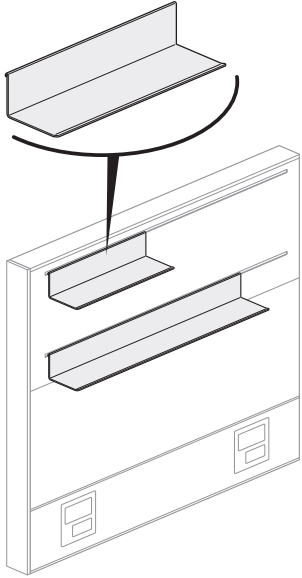
### To Order, Specify:

- 1) Product number.
- 2) Tile trim color.
- 3) Non-metallic trim color for bezel.

Height	Width	Number	Trim A	Trim B
16”(406mm)	30”(762mm)	VZTI-1630-ADN	\$ 563.53	\$ 578.79
	36”(914mm)	VZTI-1636-ADN	591.87	609.31
	42”(1067mm)	VZTI-1642-ADN	620.21	639.83
	48”(1219mm)	VZTI-1648-ADN	648.55	670.35
	54”(1372mm)	VZTI-1654-ADN	676.89	700.87
	60”(1524mm)	VZTI-1660-ADN	705.23	731.39
	72”(1829mm)	VZTI-1672-ADN	1148.86	1179.38
24”(610mm)	30”(762mm)	VZTI-2430-ADN	\$ 688.88	\$ 709.59
	36”(914mm)	VZTI-2436-ADN	744.47	767.36
	42”(1067mm)	VZTI-2442-ADN	800.06	825.13
	48”(1219mm)	VZTI-2448-ADN	855.65	882.90
	54”(1372mm)	VZTI-2454-ADN	911.24	940.67
	60”(1524mm)	VZTI-2460-ADN	966.83	998.44
	72”(1829mm)	VZTI-2472-ADN	1682.96	1718.93



# Compose Echo Accessory Ledge



**Features**

- Includes one shelf.
- Mounts on Slotted Accessory Tile and Belong.

**Specification Tips**

- Weight capacity
  - 15"(381mm)
  - 20"(508mm)

**To Order, Specify:**

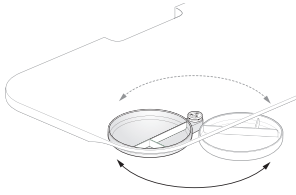
- 1) Product number.
- 2) Trim color.

ATSP  
Class TR0 - Discount Group XXXII

Depth	Height	Width	Number	Trim A	Trim B
5"(127mm)	3.75"(95mm)	14"(356mm)	ATSP-0514-P	\$57.35	\$64.96
		28"(711mm)	ATSP-0528-P	75.69	87.08

# Accessory

## Pivoting Tray



ATTR  
Class TR0 - Discount Group XXXII

### Features

- Includes one round plastic tray and mounting hardware.
- Available in Brownstone and Smooth Plaster.
- Mounts to laminate or veneer surfaces .75"(19mm) or thicker.
- Tray is 13"(330mm) in Diameter.

### Specification Tips

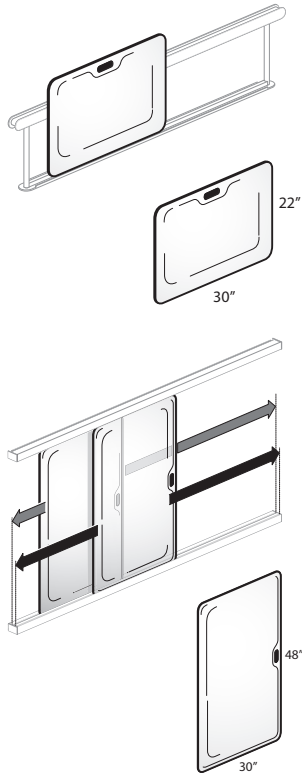
- Will mount underneath worksurface and pivot out.
- Can be used with the Table Grip.
- Must be mounted on the opposite side of the controller.
- Part is non-handed.
- Max weight 5lbs.
- Refer to Specification Guide for application guidelines.

### To Order, Specify:

- 1) Product number.
- 2) Trim color.  
TR-1R Brownstone  
TR-PLS Smooth Plaster

Number	Trim A	Trim B
ATTR-1301-L	\$98.10	\$103.55

# Compose Echo Tablet Markerboard



**Features**

- Includes one markerboard with handle.
- Designed to be lightweight and portable.
- Small Markerboard (22"(559mm) x 30"(762mm)) includes embedded magnets which can be used to secure the board to a separately specified Accessory Frame.
- Medium Markerboard (30"(762mm) x 48"(1219mm)) does not include embedded magnets and is designed for use with the separately specified Markerboard Rail.
- Markerboard surface is not magnetic.

**Specification Tips**

- Embedded magnets can be harmful to those with medical implants.
- Designed with handles for safe and secure transport.
- **The following products are recommended to maintain the markerboard appearance:**
  - Dry erase marker kit (includes holder, six markers and eraser), order part# 7062-8001.
  - Markerboard cleaner and conditioner, order part# 7031-7001.
  - Markerboard spray cleaner, order part# 7031-7002.
- Not recommended for areas exposed to high temperatures or exterior use.

**To Order, Specify:**

- 1) Product number.

ATTM  
Class TR0 - Discount Group XXXII

Description	Height	Width	Weight	Number	Price
<b>Handle</b>					
Small Markerboard	22"(559mm)	30"(762mm)	4 lbs.	ATTM-2230-NH	\$348.80
Medium Markerboard	30"(762mm)	48"(1219mm)	9 lbs.	ATTM-3048-NH	425.82

# Compose Echo Tablet Markerboard

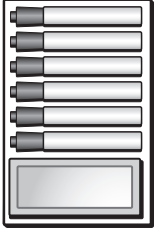
## Markerboard Accessories

**Feature**

- Recommended dry erase marker products to maintain, clean & condition markerboards.

**To Order, Specify:**

- 1) Product number.  
(no finish specification required.)



7062-8001



7031-7002

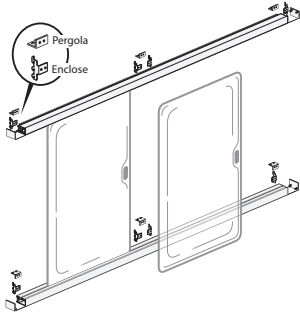


7031-7001

Description	Number	Price
Dry Erase Marker Kit (holder, six markers and eraser)	7062-8001	\$200.28
Cleaner and Conditioner	7031-7001	239.12
Spray Cleaner	7031-7002	72.99

# Compose Echo Tablet

## Markerboard Rail



ATMR  
Class TR0 – Discount Group XXXII

### Features

- Includes painted metal top and bottom rails and end caps.
- Enclose and Pergola Mount include attachment hardware.
- Wall Mounting hardware is field supplied.
- Rails can be field cut to desired width.

### Specification Tips

- Designed to be used with Medium Markerboard (30"(762mm) x 48"(1219mm)) in an upright/portrait orientation.
- Each Rail includes a front and back channel, allowing (2) markerboards to bypass each other.
- The 96"(2438mm) wide rails can accommodate a maximum of (4) Medium Markerboards (30"(762mm) x 48"(1219mm)).
  - (2) Medium Markerboards in the front channel.
  - (2) Medium Markerboards in the rear channel.
- Rail support rules by application:
  - Enclose Mount:
    - Not more than 24"(610mm) of top/bottom rail overhang past the outer brackets.
  - Pergola Mount:
    - Requires Pergola Horizontal Tile at Seated Height for application.
    - Not more than 8"(203mm) top/bottom rail overhang past the outer brackets.
  - Wall Mount:
    - Not more than 16"(406mm) of top/bottom rail overhang past the outer attachment points.
- Enclose and Pergola require three points of attachment per mounting rail. Maximum Enclose panel width between brackets is 48"(1219mm).
- Wall Mount requires one rail attachment point every 16"(406mm)-18"(457mm).
- Can be used with Belong Tool Cup to manage markers.

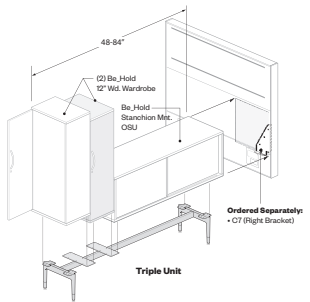
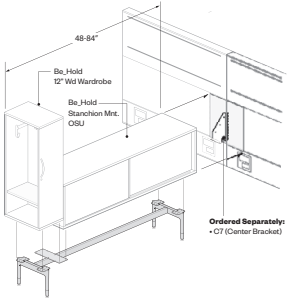
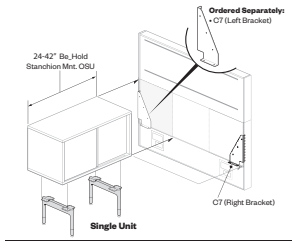
### To Order, Specify:

- 1) Product number.
- 2) Trim color.

Description	Width	Number	Trim A	Trim B
Enclose Mount	96"(2438mm)	ATMR-0096-PEN	\$ 861.10	\$866.55
Pergola Mount		ATMR-0096-PPN	893.80	899.25
Wall Mount		ATMR-0096-PWN	795.70	801.15

# Compose Echo Be\_Hold

## Legs – for use with Compose



BAES  
Class TRO – Discount Group XXXII

### Features

- Includes one steel leg kit:
  - 24"(610mm)W Single - includes two leg assembly with glides and extension glides
  - 48"(1219mm)-84"(2134mm)W Double - includes two leg assemblies with glides, extension glides, one tie plate, light block, one stretcher bar
  - 48"(1219mm)-84"(2134mm)W Triple - includes two leg assemblies with glides, extension glides, two tie plates, light block, one stretcher bar
- Glides have 2"(51mm) leveling adjustment.
- Extension glides have 1"(25mm) glide adjustment.
- Legs are field installed.
- Depth and width shown in nominal dimensions.

### Specification Tips

- Not for use Compose glass panels, Compose panels with an open base, Compose Connections, or Compose Beam.
- Must be used in conjunction with Compose to Storage Bracket - C7.
- Compose to Storage Bracket - C7 attaches mid-mount, left-hand or right-hand.
- Designed to support (see chart below):
  - 16"(406mm)H Be\_Hold Stanchion Mounted OSU
  - 16"(406mm)H Be\_Hold Stanchion Mounted OSU and 12"(305mm)W x 16"(406mm)D Be\_Hold Single Hinged Door Wardrobe (maximum height 59"(1499mm)).
  - 16"(406mm)H Be\_Hold Stanchion Mounted OSU and two 12"(305mm)W x 16"(406mm)D Be\_Hold Single Hinged Door Wardrobe.
- Legs cannot be used with Be\_Hold Be.
- Heights will not align with other storage.
- Refer to Specification Guide for application guidelines.
- Separately specify:
  - Be\_Hold OSU and Single Hinged Door Wardrobe
  - Compose to Storage Bracket - C7

### To Order, Specify:

- 1) Product number.
- 2) Trim color for Leg Assembly and flat plate.

# Compose Echo Be\_Hold

## Legs – for use with Compose

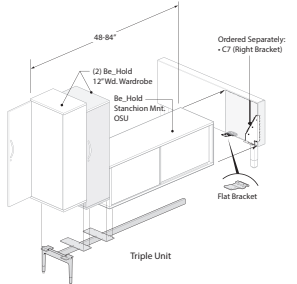
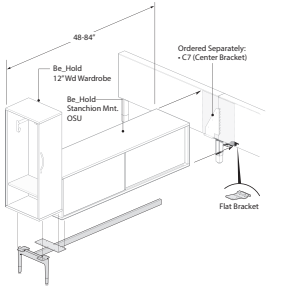
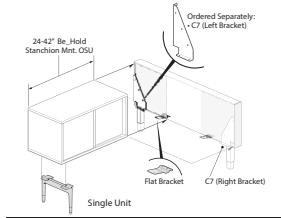
Depth	Width	Number	Trim A	Trim B
<b>For use with a Single Unit</b>				
16"(406mm)	24"(610mm)	BAES-1624-S1NNZR	\$ 479.50	\$ 485.87
<b>For use with a Double Unit</b>				
16"(406mm)	48"(1219mm)	BAES-1648-S2NNZR	\$609.39	\$ 616.32
	54"(1372mm)	BAES-1654-S2NNZR	622.05	629.26
	60"(1524mm)	BAES-1660-S2NNZR	634.71	642.20
	66"(1676mm)	BAES-1666-S2NNZR	647.37	655.14
	72"(1829mm)	BAES-1672-S2NNZR	660.03	668.08
	78"(1981mm)	BAES-1678-S2NNZR	672.69	681.30
	84"(2134mm)	BAES-1684-S2NNZR	685.35	694.24
<b>For use with a Triple Unit</b>				
16"(406mm)	48"(1219mm)	BAES-1648-S3NNZR	\$642.30	\$649.23
	54"(1372mm)	BAES-1654-S3NNZR	654.96	662.17
	60"(1524mm)	BAES-1660-S3NNZR	667.62	675.11
	66"(1676mm)	BAES-1666-S3NNZR	680.28	688.05
	72"(1829mm)	BAES-1672-S3NNZR	692.94	700.99
	78"(1981mm)	BAES-1678-S3NNZR	705.60	714.21
	84"(2134mm)	BAES-1684-S3NNZR	718.26	727.15

Description	Leg Width	OSU Width	Wardrobe-1	Wardrobe-2
Single Unit*	24"(610mm)	24"(610mm)-42"(1067mm)	NA	NA
Double Unit	48"(1219mm)	36"(914mm)	12"(305mm)	NA
	54"(1372mm)	42"(1067mm)	12"(305mm)	NA
	60"(1524mm)	48"(1219mm)	12"(305mm)	NA
	66"(1676mm)	54"(1372mm)	12"(305mm)	NA
	72"(1829mm)	60"(1524mm)	12"(305mm)	NA
	78"(1981mm)	66"(1676mm)	12"(305mm)	NA
	84"(2134mm)	72"(1829mm)	12"(305mm)	NA
	Triple Unit	48"(1219mm)	24"(610mm)	12"(305mm)
54"(1372mm)		30"(762mm)	12"(305mm)	12"(305mm)
60"(1524mm)		36"(914mm)	12"(305mm)	12"(305mm)
66"(1676mm)		42"(1067mm)	12"(305mm)	12"(305mm)
72"(1829mm)		48"(1219mm)	12"(305mm)	12"(305mm)
78"(1981mm)		54"(1372mm)	12"(305mm)	12"(305mm)
84"(2134mm)		60"(1524mm)	12"(305mm)	12"(305mm)

\*Single Unit - Compose Echo Legs is for use with : 24"-42"W Be\_Hold Storage Units (the OSU must be specified with the (S) Stanchion Mounting Option).

# Compose Echo Be\_Hold

## Legs – Single, Double or Triple Unit for use with Compose Connections



BAES  
Class TR0 – Discount Group XXXII

### Features

- Includes one steel leg kit:
  - 24”(610mm)W Single - includes two leg assembly with glides, extension glides and one flat plate.
  - 48”(1219mm)-84”(2134mm)W Double - includes one leg assembly with glides, extension glides, one flat plate, two tie plates, light block, and one stretcher bar.
  - 72”(1829mm)-84”(2134mm)W Triple - includes one leg assembly with glides, extension glides, one flat plate, three tie plates, light block, and one stretcher bar.
- Glides have 2”(51mm) leveling adjustment.
- Extension glides have 1”(25mm) glide adjustment.
- Legs are field installed.
- Depth and width shown in nominal dimensions.

### Specification Tips

- Not for use with Compose Connections tile to floor application, Compose glass panels, Compose panels with an open base, or Compose Beam.
- Flat plate (included with the leg assembly) acts as an anti-dislodgement device.
- Must be used in conjunction with Compose to Storage Bracket - C7.
- Compose to Storage Bracket - C7 attaches mid-mount, left-hand or right-hand.
- Designed to support (see chart below):
  - 16”(406mm)H Be\_Hold Stanchion Mounted OSU
  - 16”(406mm)H Be\_Hold Stanchion Mounted OSU and 12”(305mm)W x 16”(406mm)D Be\_Hold Single Hinged Door Wardrobe (maximum height 59”(1499mm)).
  - 16”(406mm)H Be\_Hold Stanchion Mounted OSU and two 12”(305mm)W x 16”(406mm)D Be\_Hold Single Hinged Door Wardrobe.
- Legs cannot be used with Be\_Hold Be.
- Heights will not align with other storage.
- Refer to Specification Guide for application guidelines.
- Separately specify:
  - Be\_Hold OSU
  - Be\_Hold Single Hinged Door Wardrobe
  - Compose to Storage Bracket - C7

### To Order, Specify:

- 1) Product number.
- 2) Trim color for Leg Assembly and flat plate.



# Compose Echo Be\_Hold

## Legs – Single, Double or Triple Unit for use with Compose Connections

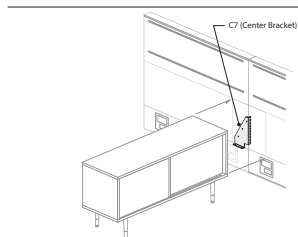
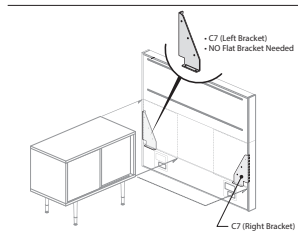
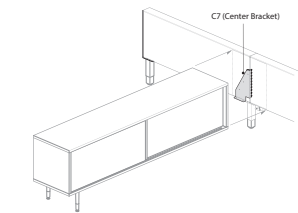
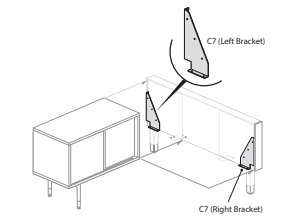
Depth	Width	Number	Trim A	Trim B
<b>For use with a Single Unit</b>				
16"(406mm)	24"(610mm)	BAES-1624-S1NNGR	\$ 339.17	\$345.54
<b>For use with a Double Unit</b>				
16"(406mm)	48"(1219mm)	BAES-1648-S2NNGR	\$469.06	\$ 475.99
	54"(1372mm)	BAES-1654-S2NNGR	481.72	488.93
	60"(1524mm)	BAES-1660-S2NNGR	494.38	501.87
	66"(1676mm)	BAES-1666-S2NNGR	507.04	514.81
	72"(1829mm)	BAES-1672-S2NNGR	519.70	527.75
	78"(1981mm)	BAES-1678-S2NNGR	532.36	540.97
	84"(2134mm)	BAES-1684-S2NNGR	545.02	553.91
<b>For use with a Triple Unit</b>				
16"(406mm)	72"(1829mm)	BAES-1672-S3NNGR	552.61	560.66
	78"(1981mm)	BAES-1678-S3NNGR	565.27	573.88
	84"(2134mm)	BAES-1684-S3NNGR	577.93	586.82

Description	Leg Width	OSU Width	Wardrobe-1	Wardrobe-2
Single Unit	24"(610mm)	24"(610mm)-42"(1067mm)	NA	NA
Double Unit	48"(1219mm)	36"(914mm)	12"(305mm)	NA
	54"(1372mm)	42"(1067mm)	12"(305mm)	NA
	60"(1524mm)	48"(1219mm)	12"(305mm)	NA
	66"(1676mm)	54"(1372mm)	12"(305mm)	NA
	72"(1829mm)	60"(1524mm)	12"(305mm)	NA
	78"(1981mm)	66"(1676mm)	12"(305mm)	NA
	84"(2134mm)	72"(1829mm)	12"(305mm)	NA
Triple Unit	72"(1829mm)	48"(1219mm)	12"(305mm)	12"(305mm)
	78"(1981mm)	54"(1372mm)	12"(305mm)	12"(305mm)
	84"(2134mm)	60"(1524mm)	12"(305mm)	12"(305mm)

\*Single Unit - Compose Echo Legs is for use with : 24"-42"W Be\_Hold Storage Units (the OSU must be specified with the (S) Stanchion Mounting Option).

# Compose Echo Accessory

## Compose to Storage Bracket - C7



ZZBF  
Class TR0 - Discount Group XXXII

### Features

- Includes one painted bracket and attachment hardware.
- Available center mount, non-handed and left or right handed.

### Specification Tips

- Connects Be\_Hold storage to a Compose or Compose Connections panel.
- Designed to be used with 9"(229mm)H Be\_Hold Legs.
- Not for use with Be\_Hold Be or Compose Beam.
- Refer to Specification Guide for application guidelines.
- Separately specify:
  - Be\_Hold OSU
  - Be\_Hold Single Hinged Door Wardrobe
  - Compose Echo Be\_Hold Legs for use with Compose or Compose Connections

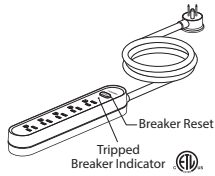
### To Order, Specify:

- 1) Product number.
- 2) Trim color.

Description	Height	Number	Trim A	Trim B
Center Mount	16"(406mm)	ZZBF-1600-PCB	\$163.50	\$168.95
Left-Hand	16"(406mm)	ZZBF-1600-PLB	163.50	168.95
Right-Hand	16"(406mm)	ZZBF-1600-PRB	163.50	168.95

# Electrical Components

## Belong



EUR1  
Class YA – Open Market

### Features

- Includes one plug strip with five 120V receptacles (NEMA 5-15R), circuit breaker, and 9'(2743mm) braided power cord with low profile plug (NEMA 5-15P).
- Plug Strip can mount in wire management tray or mount directly to the underside of the worksurface without additional bracket.
- Plug Strip has keyhole slots for mounting below worksurface.
- UL 962A listed Furniture Power Distribution Unit.

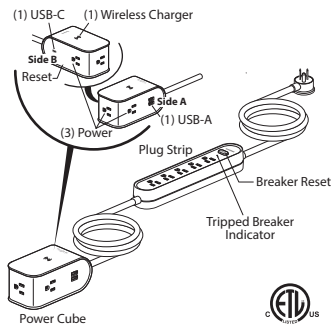
### Specification Tips

- Available in charcoal TR-K or snow TR-FM.
- Recommended for 23"(584mm) deep surfaces which cannot accommodate a wire management tray.
- Application may require approval of local authority having jurisdiction (AHJ); ensure compliance before placing orders and installation.

### To Order, Specify:

- 1) Product number.
- 2) Trim color.  
TR-K Charcoal  
TR-FM Snow

Description	Number	Price
Plug Strip	EUR1-BIN1-50000	\$85.84



EUB5  
Class YA – Open Market

### Features

- Includes one power module with three 120V receptacles (NEMA 5-15R), one dual USB-A charging port, one USB-C charging port, one wireless charger, one connected plug strip with five 120V receptacles (NEMA 5-15R), circuit breaker, and 9'(2743mm) hinged braided power cord with low profile plug (NEMA 5-15P).
- Cord connecting plug strip to power cube is 4'(1219mm).
- Power Cube can be freestanding on worksurface or be used with appropriate mounting bracket. Plug strip can mount in wire management tray or mount directly to the underside of the worksurface without additional bracket.
- 10W wireless charger on top of cube.
- USB-A and USB-C share 15W charging capability.
- USB-A provides two ports.
- USB-C provides one port for fast charge for a mobile phone.
- Power Cube has non-slip pad on bottom.
- Plug Strip has keyhole slots for mounting below worksurface.
- Circuit breaker has a reset indicator light.

### Specification Tips

- Available in charcoal TR-K or snow TR-FM.
- Plug Strip designed to be mounted below worksurface for long term connection. Power Cube is mounted above the surface for a convenient power option.
- Recommended for 23"(584mm) deep surfaces which cannot accommodate a wire management tray.
- Application may require approval of local authority having jurisdiction (AHJ); ensure compliance before placing orders and installation.

### To Order, Specify:

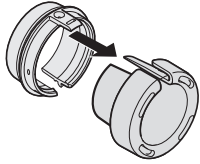
- 1) Product number.
- 2) Trim color.  
TR-K Charcoal  
TR-FM Snow

Description	Number	Price
Power Suite	EUB5-BIN1-81100YN	\$406.30

# Electrical Components

## Belong

### Cord Management Cuff



EUAC  
Class YA - Open Market

#### Features

- Includes one bag of 50 - 1"(25mm) Cuffs.
- Product is applied to both ends of the separately specified Mesh Cord Manager.

#### Specification Tips

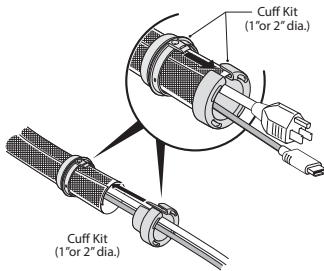
- Split cuff allows side insertion of cord or cable less than .5"(13mm) diameter. The shape or size of plug does not impede installation of cuff over cord cables.
- Available in charcoal TR-K only.
- Loom Insertion Tool Epart 24424401 is recommended for easier installation.

#### To Order, Specify:

- 1) Product number.

Description	Number	Price
1"(25mm) Bag of 50	EUAC-0001-C	\$200.29

### Mesh Cord Manager with Cuffs



EUAW  
Class YA1 - Open Market

#### Features

- Includes one bag of 50 - 1"(25mm) Cuffs and Cord Manager.
- Product is applied to both ends of the Mesh Cord Manager and one end snaps into the Belong Wire Management Tray.

#### Specification Tips

- Available in grey, white or black.
- Loom Insertion Tool Epart 24424401 is recommended for easier installation.

#### To Order, Specify:

- 1) Product number.

Description	Number	Price
100'(30480mm) 1"(25mm) with 50 Cuffs	Grey	EUAW-A001-CG \$1058.96
	White	EUAW-A001-CW 1058.96
	Black	EUAW-A001-CB 1058.96
1"(25mm) with No Cuffs	Grey	EUAW-A001-NG 887.28
	White	EUAW-A001-NW 887.28
	Black	EUAW-A001-NB 887.28

# Compose Echo Resources

Surfaces Materials

Index

Warranty

# Surface Materials

## Finish Color Legend

### Wood Finishes

#### Grade A

##### Double Cut

2P-RL	Applegate
WE-RD	Dune
WJ-RE	Ebony
2N-RL	Echo
WE-RT	Melba
CQ-WG	Walnut Grove

##### Cherry

VC-CA1	Amber
VC-W23	American
VC-W33	Caramel
VC-W30	Heritage
VC-W32	Pacific

##### Maple

VP-LM	Light
VP-N	Natural

##### Maple Quarter Cut

NM-N	Natural
------	---------

##### Rift Cut White Oak

NR-W35	Clear
NR-W15	Espresso
NR-W40	Mocha

##### Walnut

VR-W15	Espresso
VR-W31	Retro

##### Walnut Quarter Cut

NW-W35	Clear
NW-W15	Espresso
NW-W31	Retro

### Laminate Finishes

#### Grade A

##### Solid Color

H-34	Beige
H-AK	Chalk
H-8J	Charcoal
H-3J	Graphite
H-62	Gray Tone
H-WL	Linen
H-3P	Platinum
H-AA	Putty
H-3E	Smoke

##### Patterned

H-P1	Linen Casual
H-P2	Linen Classic
H-P3	Linen Crisp
H-P4	Linen Flax

##### Wood

H-AE	Maple
------	-------

#### Grade B

##### Premium Wood Grain

H-KA	Brazilwood
H-KG	Columbian Walnut
H-KP	Field Elm
H-KN	Grey Elm
H-KM	Landmark Wood
H-KL	Neo Walnut
H-KC	New Age Oak
H-KR	Phantom Ecu
H-KS	Phantom Pearl
H-KD	River Cherry
H-KF	Williamsburg Cherry

#### Grade E

##### Premium

H-C2	Drift
H-C6	Hatch
H-C1	Hay
H-C5	Mineral
H-C4	Molasses
H-C3	Pecan
H-C7	Tanned

### Edgeband

#### Solid Color

HP-34	Beige
HP-AK	Chalk
HP-8J	Charcoal
HP-3J	Graphite
HP-62	Gray Tone
HP-WL	Linen
HP-3P	Platinum
HP-AA	Putty
HP-3E	Smoke

#### Patterned Edgeband

HP-P1	Linen Casual
HP-P2	Linen Classic
HP-P3	Linen Crisp
HP-P4	Linen Flax

#### Wood Grain

HP-KA	Brazilwood
HP-AM	Cherry
HP-KG	Columbian Walnut
HP-KP	Field Elm
HP-KN	Grey Elm
HP-KM	Landmark Wood
HP-AE	Maple
HP-AD	Medium Cherry
HP-KL	Neo Walnut
HP-KC	New Age Oak
HP-KR	Phantom Ecu
HP-KS	Phantom Pearl
HP-KD	River Cherry
HP-KF	Williamsburg Cherry

#### Premium

HP-C2	Drift
HP-C6	Hatch
HP-C1	Hay
HP-C5	Mineral
HP-C4	Molasses
HP-C3	Pecan
HP-C7	Tanned

#### Ply-Edge

HP-PW	Ply-Edge
-------	----------

### Trim

#### Grade A

##### Smooth

TR-R	Beige
TR-F	Black
TR-AK	Chalk
TR-K	Charcoal*
TR-C1	Cocoa
TR-J	Graphite
TR-G	Gray Tone
TR-AA	Putty
TR-E	Smoke
TR-PLS	Smooth Plaster*
TR-FM	Snow

##### Textured

TR-TG	Grout
TR-TF	Pitch
TR-TW	Plaster

#### Grade B

##### Smooth

TR-IG	Blue Jay
TR-IR	Brownstone
TR-IN	Night
TR-IQ	Park
TR-RR	Rusty Red
TR-IM	Sable
TR-IJ	Sky Blue
TR-IH	Terra
TR-IK	Wren

##### Smooth Metallic

TR-HE	Hellenic
TR-DM	Dark Bronze Metallic
TR-MC	Metallic Champagne
TR-MG	Metallic Gunmetal
TR-LE	Metallic Silver*

#### Casters

TR-F	Black
TR-7	Fog
TR-LPL	Light Platinum

#### PET Finishes

PET-C1	Dusk
PET-C4	Mink

**NOTE:** \*Represents Compose Echo Limited Finishes Height Adjustable paint finishes.

**ALERT:** These materials are current, however they are being considered for future obsolescence due to low volume.

Wood	
VJ-W42	Brindle
2R-RL	Butternut
NP-W08	Golden
NP-W07	Light
NX-U	Medium
VR-W12	Naturally Walnut
VP-AD	Sand
WC-RW	Wenge

Laminate	
H-AM	Amber Cherry
H-AD	Medium Cherry

Trims	
TR-CTS	Chartreuse

### Forestry Stewardship Council (FSC) Statement:

In our continuing support of sustainable forestry and responsible purchasing, Haworth North America is offering FSC certified wood products at no up-charge. By providing FSC certified material, Haworth is supporting our client's green building goals and demonstrating our collective commitment to source materials more sustainably.

Haworth will provide to you the necessary FSC certified paperwork with your shipment. For more information, FAQs, and a complete FSC product list (including product exceptions), go to the Library and search FSC.

Haworth FSC Trademark License #FSC-C002821

# Surface Materials

## Fabrics/Color Legend

### Vertical Fabrics

#### Grade A

- (36) Aerial
- (6X) Chevron
- (35) Etch
- (L6) Highlands
- (C1) Striae
- (PY) Tailored
- (3A) Tellure

#### Grade B

- (33) Camp
- (L5) Classic
- (34) Fields
- (6) Hue
- (PV) Ritz
- (WS) Shimmer

#### Grade C

- (PH) Birds Nest
- (SW) Sisal

### Seating Fabrics

#### Grade B

- (4H) Blanket
- (2A) Pixel

#### Grade D

- (JB) Cotswold
- (4N) Diagonale
- (67) King II

#### Grade E

- (S6) Floyd by Kvadrat
- (68) Maya II

#### Grade G

- (JB) Cotswold
- (6M) Main Line Flax
- (4T) Oceanic
- (66) Class II

#### Grade H

- (S7) Melange Nap by Kvadrat

\* For most current finish and fabric availability please reference [surfaces.haworth.com](https://surfaces.haworth.com).

## Haworth+

For information on the Haworth+ alliance program, including images and product availability, please refer to: [Haworth.com](https://Haworth.com) > Surface Collection > Haworth+ Library

## Customer's Own Material (COM)

For general Customer's Own Material (COM) information including processes and forms, please refer to: [Haworth.com](https://Haworth.com) > Surface Collection > Resources > COM

For information on approved COM's, please refer to: [Haworth.com](https://Haworth.com) > Surface Collection > COM Library

# Index

Products are listed alphabetically in this index by alpha-numeric prefix/suffix codes.

<b>Product Code</b>	<b>Product Description</b>	
7031-7001	Compose Echo Tablet – Markerboard Accessories	.36
7031-7002	Compose Echo Tablet – Markerboard Accessories	.36
7062-8001	Compose Echo Tablet – Markerboard Accessories	.36
ATMR	Compose Echo Table – Markerboard Rail	.37
ATSP	Compose Echo Accessory – Ledge	.33
ATSR	Height Adjustable Table Accessories – Table Stop	.19
ATTL	Height Adjustable Table Accessories – Worksurface Guard Rail	.24
ATTM	Compose Echo Tablet – Markerboard	.35
ATTR	Accessory – Pivoting Tray	.34
ATTS	Height Adjustable Table Accessories – Onboard Storage	.20
ATWN	Height Adjustable Table Accessories – Horizontal Wire Management with Modesty or without	.21
ATWT	Height Adjustable Table Accessories – Table Tether	.18
AUTG	Height Adjustable Table Accessories – Table Grip	.23
BAES	Compose Echo Be_Hold – Legs – for use with Compose	.38
BAES	Compose Echo Be_Hold – Legs – Single, Double or Triple Unit for use with Compose Connections	.40
ETAW	Height Adjustable Table Accessories – Wire Manager – Vertical Wire Manager	.22
EUAC	Electrical Components – Cord Management Cuff	.44
EUAW	Electrical Components – Mesh Cord Manager with Cuffs	.44
EUB5	Electrical Components – Belong	.43
EUR1	Electrical Components – Belong	.43
EZAH-0200-P	Height Adjustable Table Accessories – Wire Manager – Cable Management Hook	.22
STUC-F	Compose Echo Accessory – Accessory Frame – Fabric	.26
STUC-P	Compose Echo Accessory – Accessory Frame – Open	.25
TFPA	Height Adjustable Table – Rectangular Radius Corner	.16
TFRA	Height Adjustable Table – Rectangular	.14
VZTI-ADN	Compose Echo Integrated – Slotted Accessory Tile / Double	.32
VZTI-A_N	Compose Echo Integrated – Slotted Accessory Tile / Single	.31
VZTI-ANN	Compose Echo Integrated – Slotted Accessory Tile	.30
ZZBF	Compose Echo Accessory – Compose to Storage Bracket - C7	.42



# Product Compatibility and Limited Warranty Policy

## Great Expectations

You have them as a Haworth customer and so do we. And because we value our customers, we cover our products with the Haworth North America Product Compatibility and Limited Warranty Policy.

## Our Commitment To Product Compatibility – Integrated Product Platforms

As a market leader in the design and manufacture of workspaces that adapt to change, we strive to maintain product compatibility within our various generations of integrated product platforms. This benefits the customer who desires to update or modify their work environment. It also benefits the customer needing to replace a product due to damage or other reasons but which is no longer manufactured or is otherwise unavailable, such as a fabric or finish that is discontinued because of changing market preferences. In both circumstances, we often can provide products with comparable function and performance.

## Our Commitment To Product Quality – The Haworth North America Limited Warranty

To ensure customer satisfaction and peace of mind, we stand behind our products with the Haworth North America Limited Warranty. To review the current version of the limited warranty including its terms and conditions, please go to:

**[www.haworth.com/warranty](http://www.haworth.com/warranty) or contact [OneTouch@Haworth.com](mailto:OneTouch@Haworth.com) or 1 877 429 6784.**

## Warranty Requests or Questions

For questions or service requests pertaining to the Haworth Limited Warranty, please contact your Haworth dealer. If you are unsure who your dealer is, please contact **[OneTouch@Haworth.com](mailto:OneTouch@Haworth.com) or 1 877 429 6784.**

**Effective: September 1, 2021**

# HAWORTH

HAWORTH® is a registered trademark of Haworth, Inc.

© Haworth, Inc. All rights reserved. 2024 8.24

[haworth.com](http://haworth.com) | 800 344 2600