



BuzziShade

BuzziSpace | Stal Collectief | 2013

Modern and inviting, BuzziShade is expertly designed to support conversations by keeping overall noise levels to a minimum. BuzziShade is covered in a wide range of felt or fabrics and finished with a column of contrasting cross-stitching. In two sizes, BuzziShade bridges the gap between furniture and architecture in open office floor plans and social spaces.

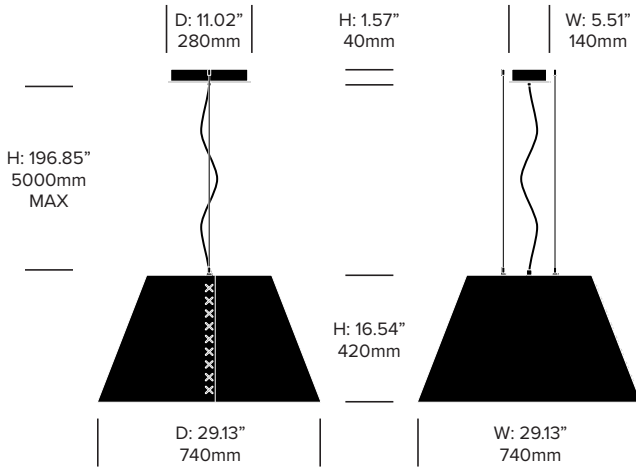
HAWORTH® Collection

BuzziShade

BuzziSpace | Stal Collectief | 2013 | Imported from the Netherlands



Medium Pendant



UPHOLSTERY AND FINISHES

For a complete list of upholstery options, please refer to surfaces.haworth.com.

Frame Trim

Black (BTR-90005)
 Fluorescent Orange (BTR-20005)
 Uncoated Aluminum (BTR-UNA)
 White (BTR-9010)

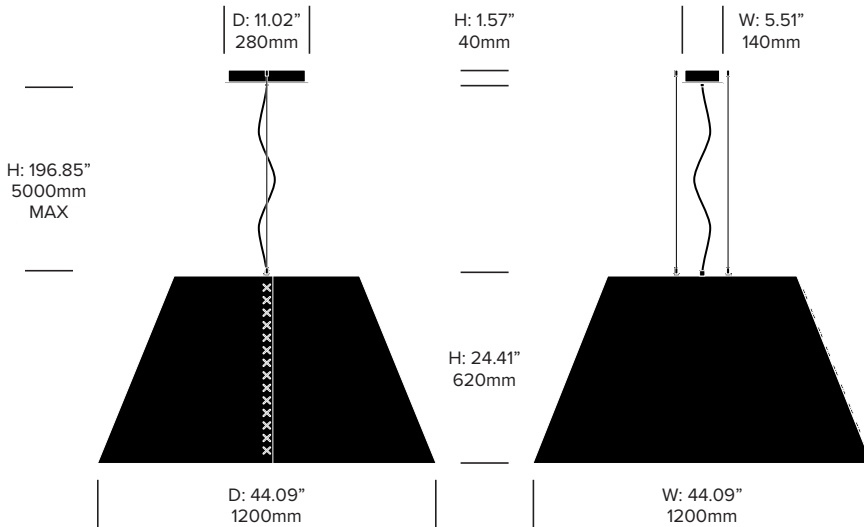
Lace

Black (BTL-1)
 Fluorescent Orange (BTL-4)
 White (BTL-3)

Cable Trim

Alu (BTR-90006)
 Black (BTR-90005)

Large Pendant



FEATURES AND SPECIFICATIONS

Voltage:	120V 50/60Hz
Power consumption:	19 watts
Color temperature:	3000K
Luminosity:	1500 lumens
Luminaire efficacy:	79 lumens/watt
Color rendition index:	90 CRI
Rated lifespan:	50,000 hours

All BuzziShade lighting is UL and CE certified.



ACOUSTICS

Acoustic Principles



Absorption

Acoustic Performance



Mid Tones



High Tones