



## BuzziHat

BuzziSpace | Alain Gilles | 2018

A dapper topper, this acoustic pendant hangs elegantly overhead. BuzziHat is available in four sizes to absorb varying degrees of sound, ranging from a compact and rounded “cap” to a more elongated “top hat” shape. Upholstered in a wide range of fabrics, with the metal shade and ring detail available in contrasting finishes, BuzziHat is at home in any social space.

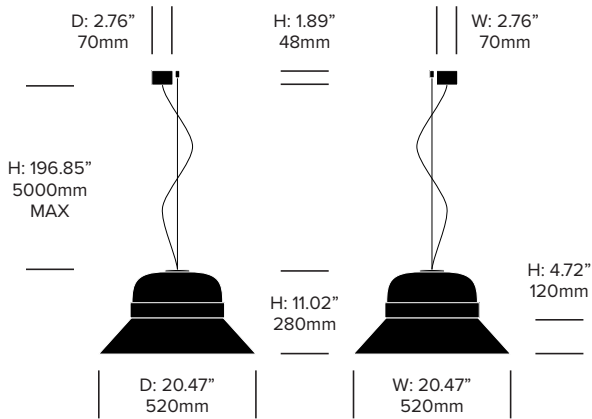
HAWORTH® Collection

# BuzziHat

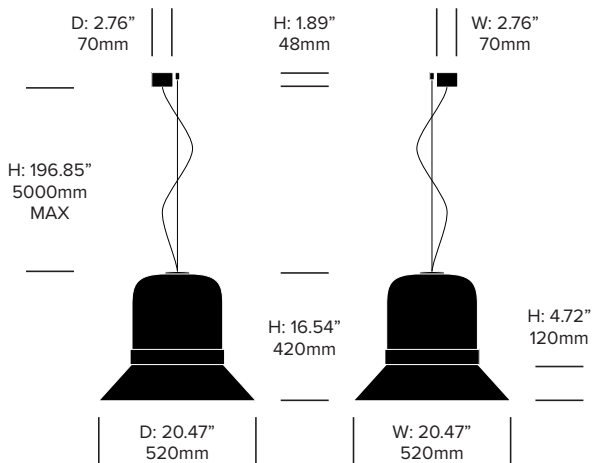
BuzziSpace | Alain Gilles | 2018 | Imported from the Netherlands



## Small Pendant



## Medium Pendant



## UPHOLSTERY AND FINISHES

For a complete list of upholstery options, please refer to [surfaces.haworth.com](https://surfaces.haworth.com).

## FEATURES AND SPECIFICATIONS

Voltage:	120V 50/60Hz
Power consumption:	19 watts
Color temperature:	3000K
Luminosity:	2000 lumens
Luminaire efficacy:	105 lumens/watt
Color rendition index:	<90 CRI
Rated lifespan:	50,000 hours

All BuzziHat lighting is UL and CE certified.



## ACOUSTICS

### Acoustic Principles



Absorption

### Acoustic Performance



Mid Tones



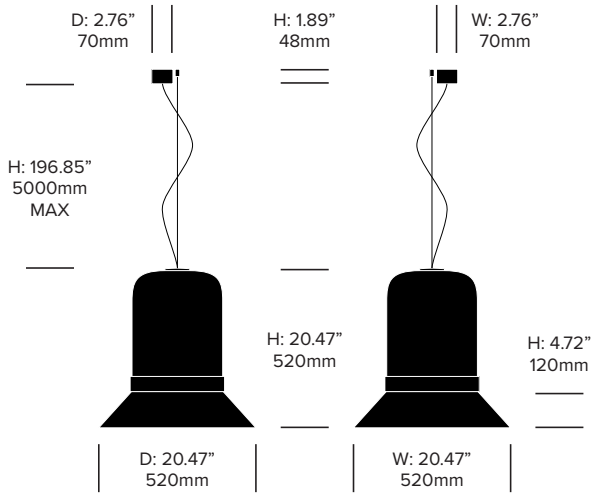
High Tones

# BuzziHat

BuzziSpace | Alain Gilles | Imported from the Netherlands



## Large Pendant



## Extra Large Pendant

