



Mangas Original

GAN | Patricia Urquiola | 2009

Beautiful patterns and playful shapes add character to a space, offering a soft spot to perch for an impromptu meeting. Thick knots of handloomed wool add to the softness and casual feel that draws people into social spaces. Pair this pouf with Mangas Original rugs to create an added dimension of beautiful, handmade patterns that are truly unique.

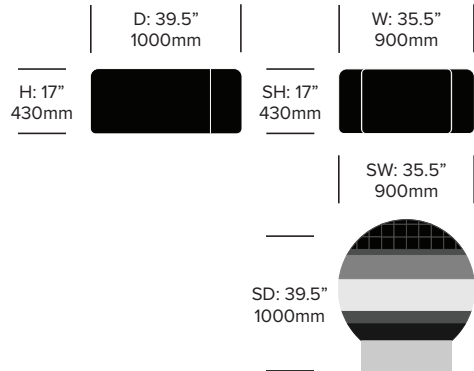
HAWORTH® Collection

Mangas Original

GAN | Patricia Urquiola | 2009 | Made in India, Imported from Spain



Globo Pouf



SURFACES

Seat Color Combination

Petrol with Yellow (ZV-A01)